

Adjustable Fire Fender

Safety Instructions

Notice: Ensure you read and fully understand instructions before use

While every attempt is made to ensure the highest degree of protection in all equipment, we cannot guarantee freedom from injury. The user assumes all risk of injury due to use. All merchandise is sold on this condition, which no representative of the company can waive or change.

- Never carry out any alterations or modifications to this product.
- This product is not a toy, and is only to be used for its designated purpose.
- This product is intended for indoor use only.
- Only use this product on stable, level and dry ground.
- Keep fingers, loose clothing, and hair away when opening the product out or closing the product. Be specifically aware of the pinch points when closing the product.
- Ensure you are very careful before handling the fire fender after use as it may be hot, always leave enough time for the metal to cool and use heat resistant gloves if uncertain.
- When using the product, be sure that all children and pets are kept at a safe distance from the frame to avoid any accidental injuries.
- This product is for domestic use only.
- When opening the product out or closing the product, be sure that the fire it was in front of is out to avoid any accidental injuries.
- Clean only with a damp cloth. Do not use strong industrial cleaning substances or abrasive materials as these will damage the product. Allow for the inside of the product to cool as it may have heated up if it is in close proximity to the fire.
- If the product is damaged or has any defects, please contact cservice@oypla.com

Assembly Instructions

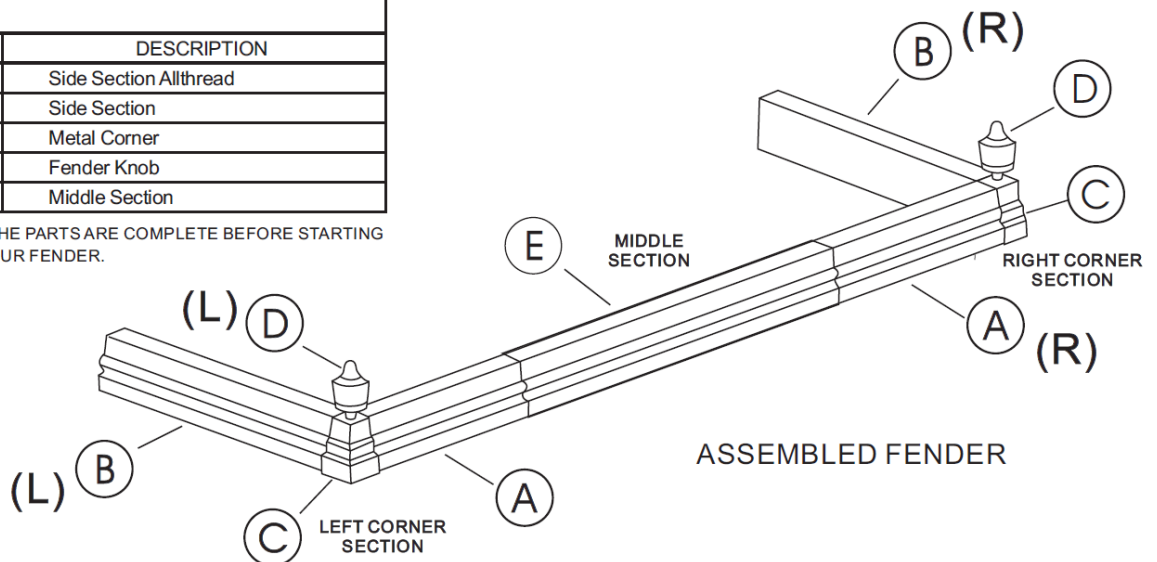
Parts List:

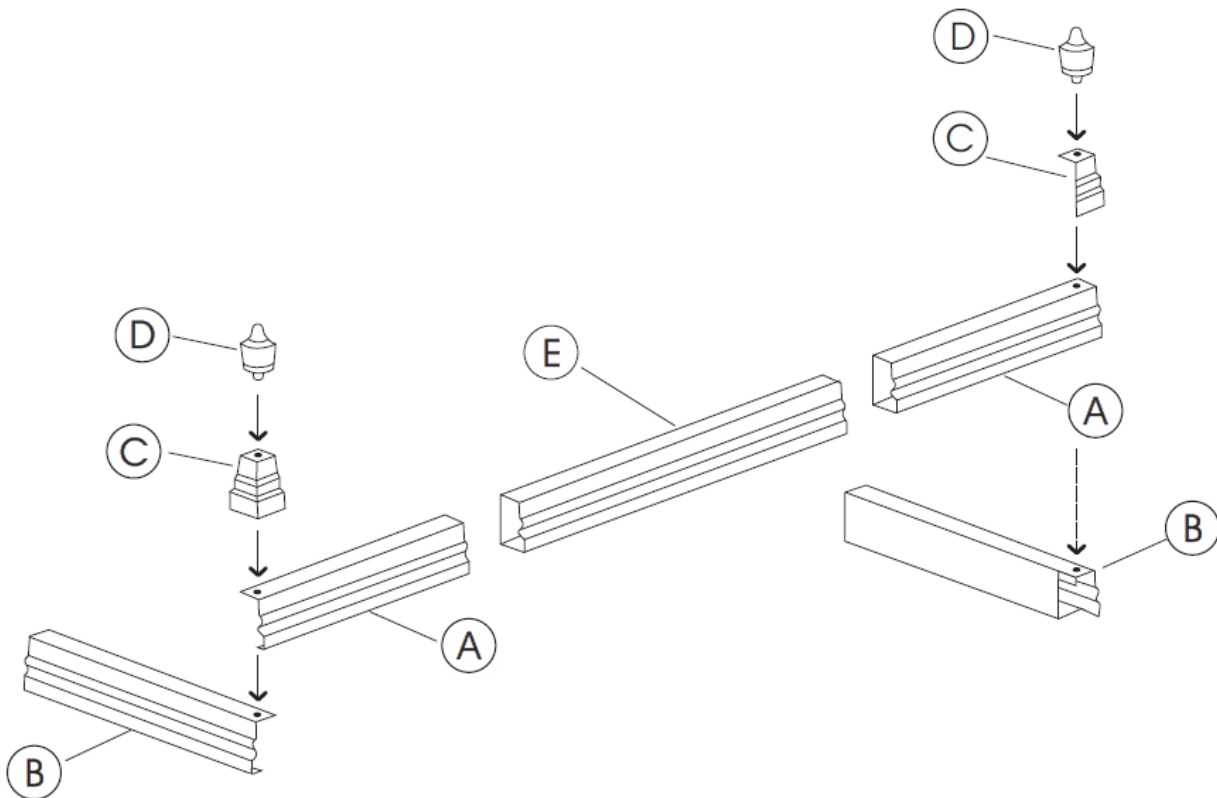
If you are missing any of the below parts please contact cservice@oypla.com

Please be aware that you will be referring to this parts list throughout the assembly process.

LIST OF PARTS		
KEY	QTY	DESCRIPTION
A	2pcs.	Side Section Allthread
B	2pcs.	Side Section
C	2pcs.	Metal Corner
D	2pcs.	Fender Knob
E	1pc.	Middle Section

NOTE: PLEASE CHECK THE PARTS ARE COMPLETE BEFORE STARTING TO ASSEMBLE YOUR FENDER.





1. Place the left of right (can be recognised by the “R” or “L” on the side) fire fender side on to the corresponding fire fender front, ensuring that the end of the fire fender side that doesn’t have a metal overhang overlaps the fire fender front. After this, put the fire fender knob into the holes on the fire fender front and sides, and screw into place to secure. Repeat this step using the other corresponding parts to create the opposite side of the adjustable fire fender.
2. Push the sections that you have created inside of the front adjuster, ensuring that they slide in correctly. Adjust the size of the fire fender by holding the fire fender knobs and pulling those outwards. Do not pull on them too far or this will cause the fire fender to fall apart.

HAVE A QUESTION ABOUT YOUR PURCHASE?

OUR DEDICATED CUSTOMER SERVICES TEAM ARE HAPPY TO HELP
CONTACT THEM VIA:

TELEPHONE: 020 3600 2255

EMAIL: cservice@oypla.com

LIVE CHAT: www.oypla.com

PLEASE RETAIN A COPY OF THESE INSTRUCTIONS FOR FUTURE CONSULTATION

OYPLA.COM

An Official OYPLA Branded Product

Imported by Oypla.com LLP, Uxbridge, UB8 2FX

USER MANUAL Model No: 3771