



*COLOUR MAY VARY

Shoe Storage Cupboard

Safety Instructions

Notice: Ensure you read and fully understand instructions before use

While every attempt is made to ensure the highest degree of protection in all equipment, we cannot guarantee freedom from injury. The user assumes all risk of injury due to use. All merchandise is sold on this condition, which no representative of the company can waive or change.

- This product contains small parts that could be a choking hazard if swallowed. Keep these items away from children.
- Make sure all fastenings are tightly in place and that everything is in order before using the product. This should be checked periodically by an adult.
- This product is not a toy, and is only to be used for its designated purpose.
- Clean only with a damp cloth. Do not use strong industrial cleaning substances.
- Leaving the product outside exposed to weather, especially direct sun and rain, will speed the weathering process. This can be slowed by removing the product from these conditions.
- Do not overload the product.
- Assembly should be completed by a responsible adult.
- Only use this product on stable, level and dry ground.
- If any parts are missing or damaged, please contact cservice@oypla.com

Assembly Instructions



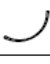

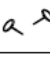





Parts List:

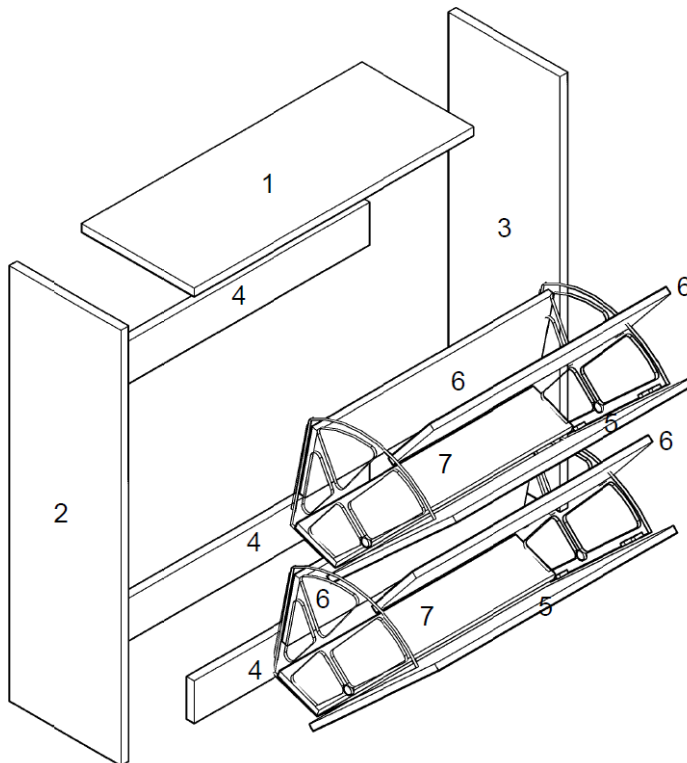
Please check you have all parts below before attempting to assemble this product.

If you are missing any of the below parts, please contact Oypla customer services:

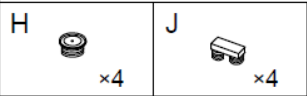
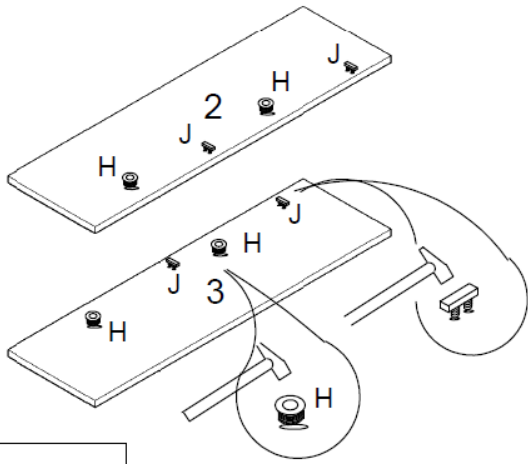
cservice@oypla.com

NO.	QTY.	LINEDRAWING	DESCRIPTION
1	1	600*240*16	TOP BOARD
2	1	810*240*16	LEFT BOARD
3	1	810*240*16	RIGHT BOARD
4	3	600*80*16	BACK RAIL
5	2	596*346*12	DOOR
6	4	591*140*12	SHELF
7	2	591*88*12	BOTTOM SHELF

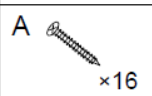
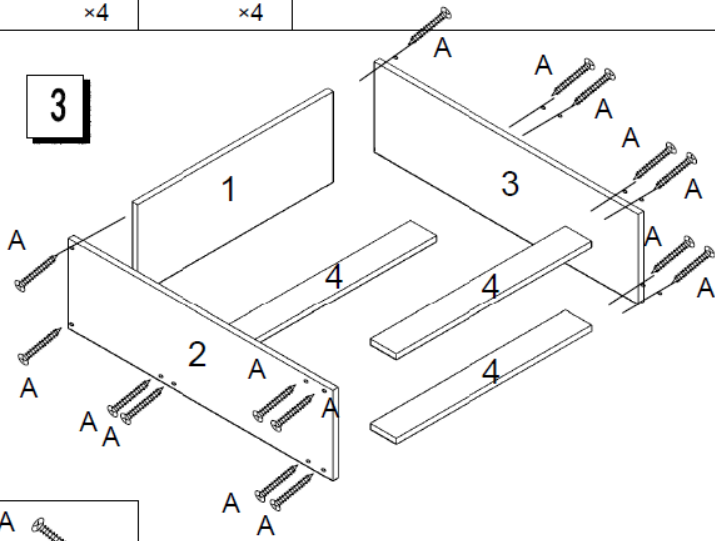
NO.	QTY.	LINEDRAWING	DESCRIPTION
A	16		SCREW
B	20		SCREW
C	2		HANDLE
D	4		HANDLE SCREW
E	4		LEG NAIL
F	16		ROUND COVER
G	4		RACK
H	4		AXLE BASE
I	4		AXLE
J	4		STOPPER



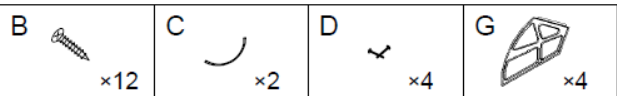
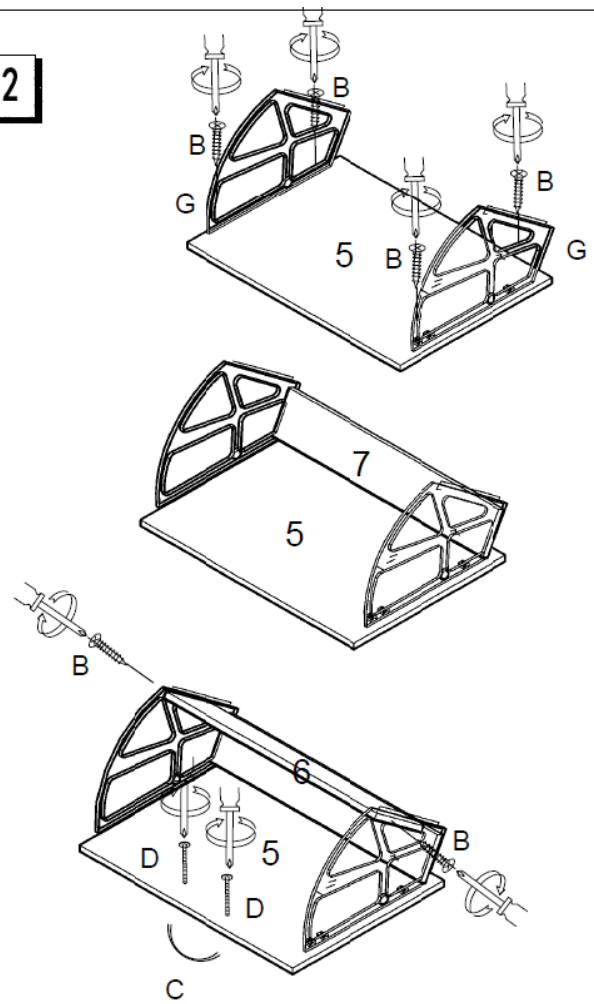
1



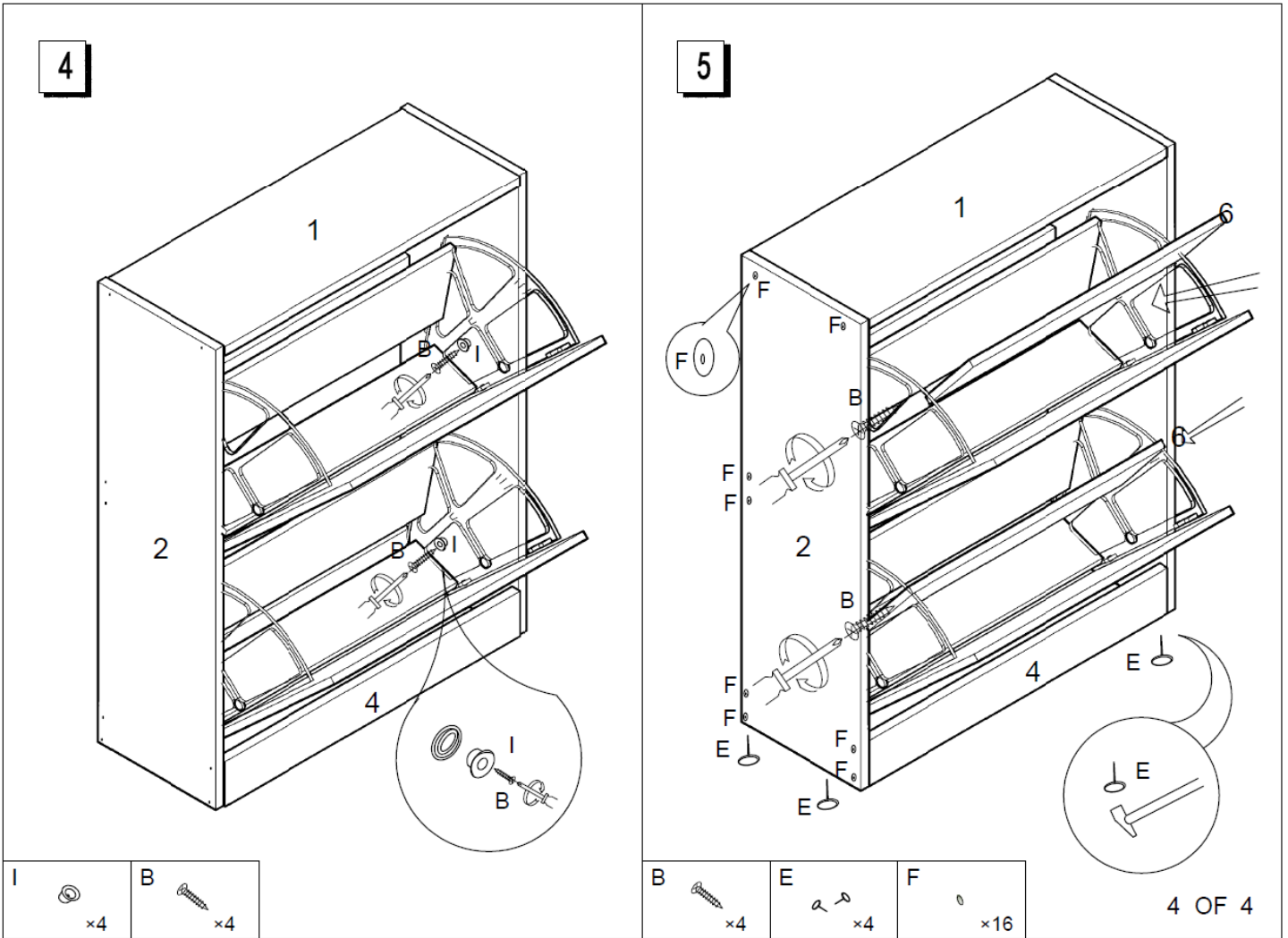
3



2



3 OF 4



Please retain a copy of all instructions for future consultation.



An Official Oypla Branded Product

Imported into the EU by Oypla.com LLP, Uxbridge, UB8 2FX

USER MANUAL Model No: 3750, 3751