

# OYPLA<sup>TM</sup> HOME



## Garment Steamer

USER MANUAL Model No: 3708

# Safety Instructions

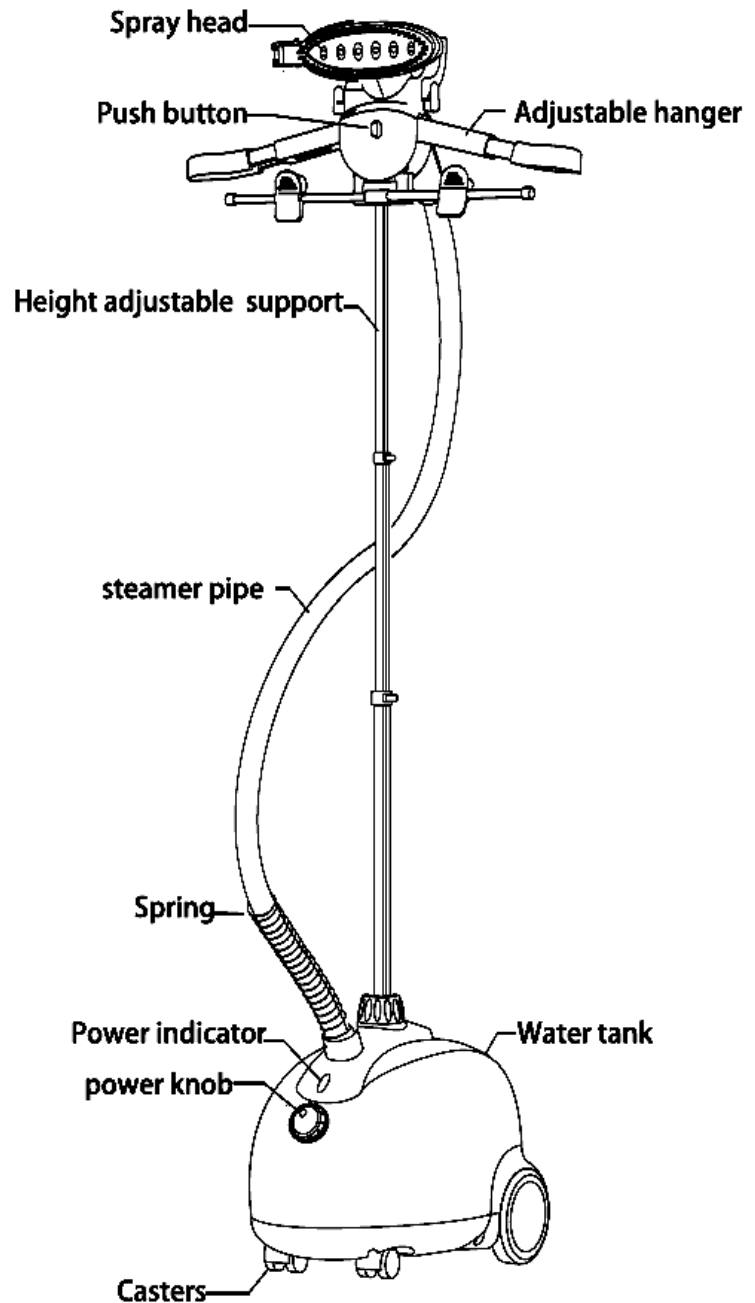
## **Notice: Ensure you read and fully understand instructions before use**

**While every attempt is made to ensure the highest degree of protection in all equipment, we cannot guarantee freedom from injury. The user assumes all risk of injury due to use. All merchandise is sold on this condition, which no representative of the company can waive or change.**

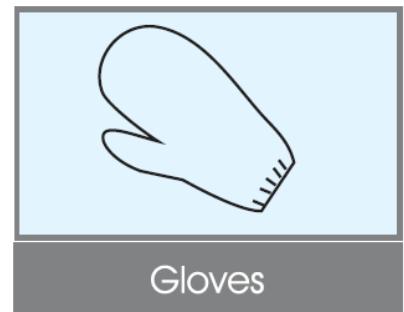
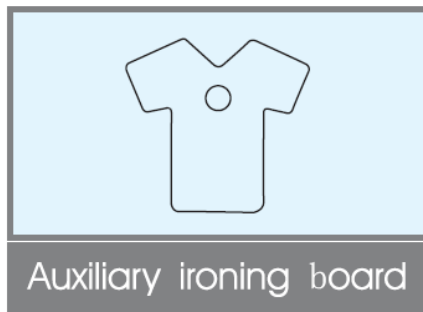
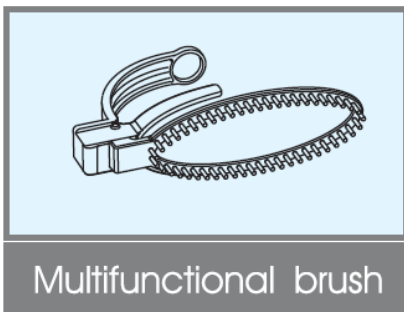
- This product contains small parts that could be a choking hazard if swallowed. Keep these items away from children.
- If at any time during activity you feel faint, dizzy or experience pain, stop and consult your physician or doctor.
- Make sure all fastenings are tightly in place and that everything is in order before using the product. This should be checked periodically by an adult.
- This product is intended for indoor use.
- This product is not a toy, and is only to be used for its designated purpose.
- Do not carry out alterations or modifications to this product.
- Clean only with a dry cloth. Do not use strong industrial cleaning substances.
- To protect against electrical shock, do not immerse cord, plug or any part of this appliance in water or any other liquid.
- Never operate electrical appliance in immediate vicinity of other water sources, other than the water tank provided on the product.
- Ensure the power supply to the socket into which the appliance is plugged, is in accordance with the rating label on the appliance and that the socket is earthed.
- This product is not intended for use by persons (including children) with reduced physical, sensory and mental capacities, or lack of experience and knowledge, unless they have been given supervision or instruction concerning use of the product by persons responsible for their safety.
- When the appliance is not in use, always unplug from the mains socket.
- This product is for domestic use only.
- If the product is damaged or has any defects, please contact [cservice@oypla.com](mailto:cservice@oypla.com)

# Parts list

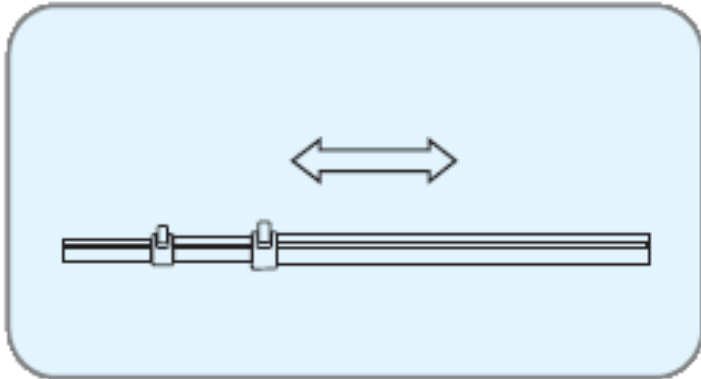
1. Spray head
2. Push button
3. Adjustable hanger
4. Height adjustable support
5. Steamer pipe
6. Spring
7. Power indicator
8. Water tank
9. Power knob
10. Casters



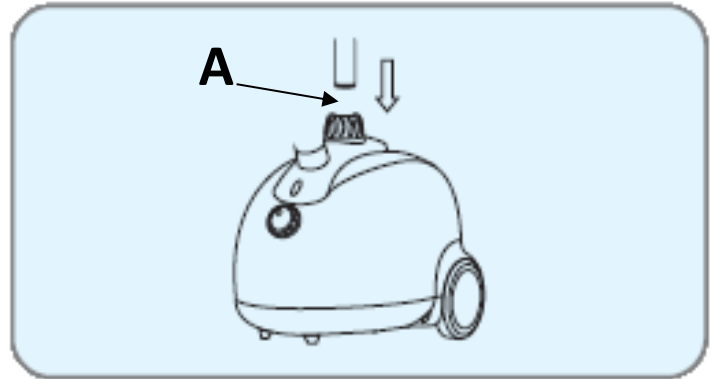
## Accessories



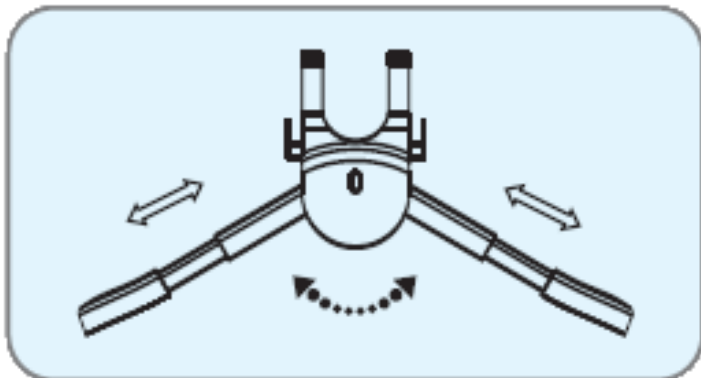
# Assembly Instructions



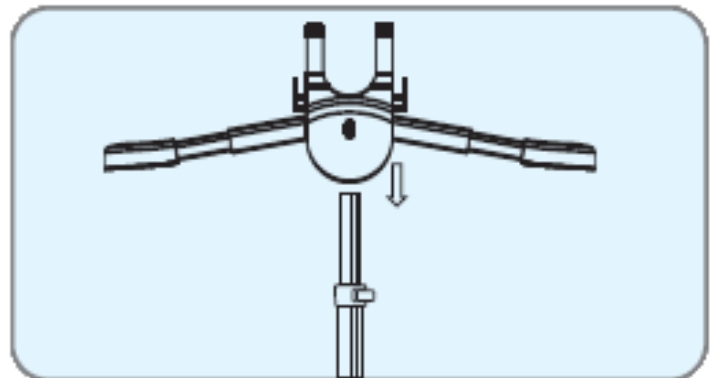
1. Begin by taking the height adjustable support pole and loosen each locking nut. Once adjusted to the desired height, fasten the locking nuts again.



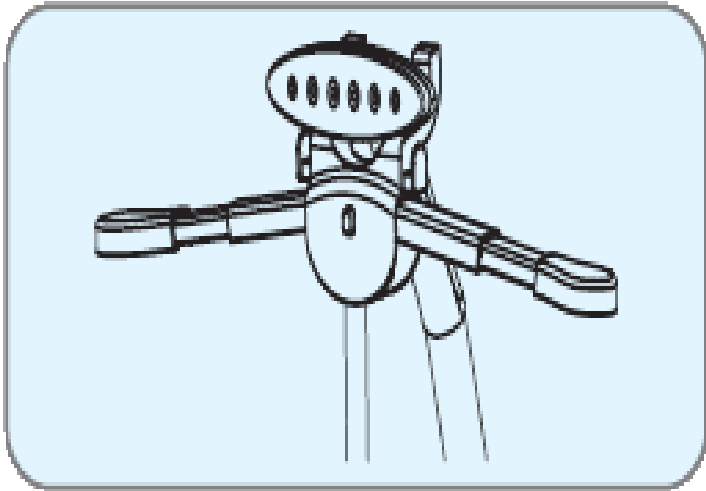
2. Insert the supporting pole into the hole on the top of the steamer. To secure into place tighten the large nut make with an A in the image above.



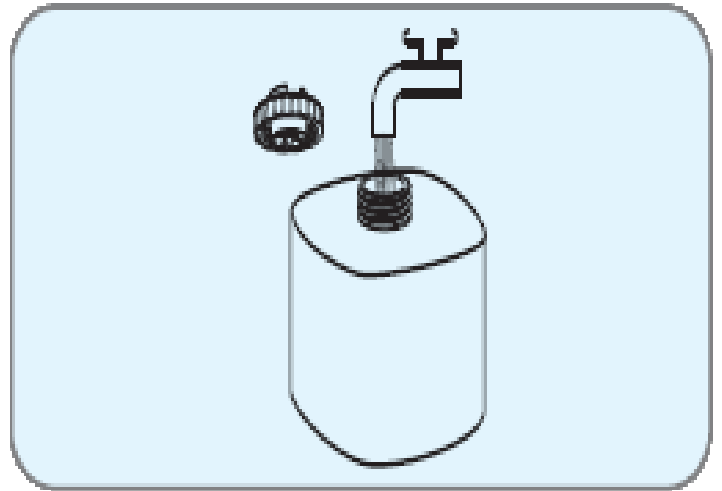
3. To unfold the hanger arms, push the centre button inwards and adjust to the proper position.



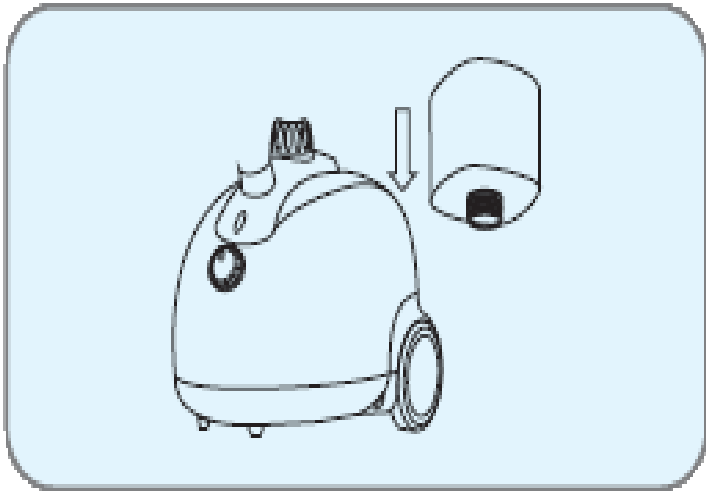
4. Install the hanger onto the support pole, by sliding the hanger onto the top of the pole.



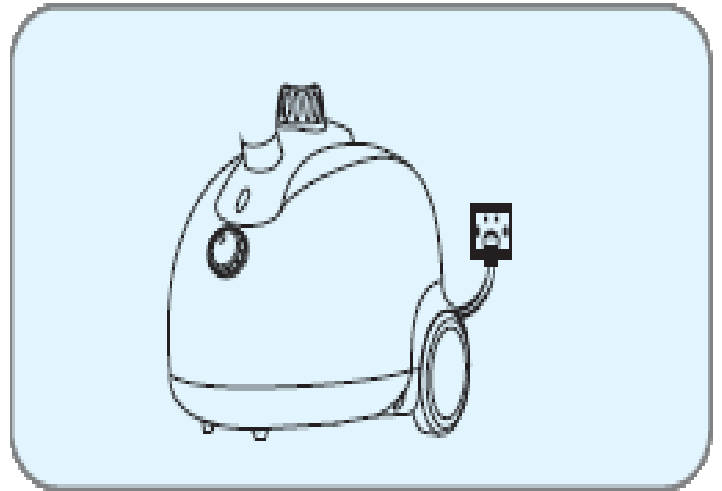
**5. To store the nozzle when not in use, Place the nozzle on the inside of the hanger hook. As shown in the image above.**



**6. Before plugging the product into the mains, remove the water tank located at the back of the base. Unscrew the tanks lid and add water only, once full screw the lid on firmly.**

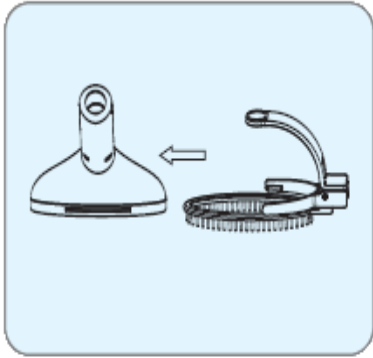


**7. Wipe off any excess water before placing the water tank back into the base.**

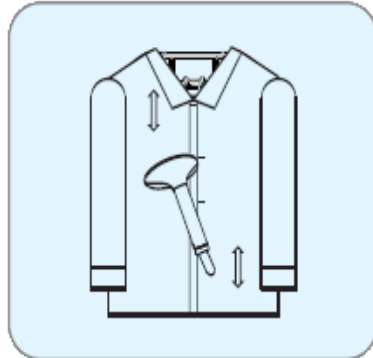


**8. Plug into the mains and turn the power on. After 30-50 seconds, the steamer will start to heat up. After one minute, the steamer is ready to be used and should be operated by and adult only.**

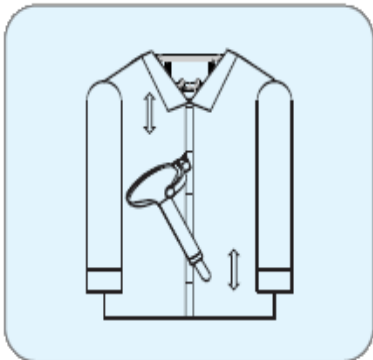
# Operating Instructions



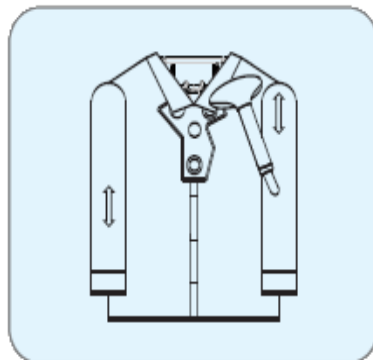
1. Mount the multifunctional brush onto the ironing head.



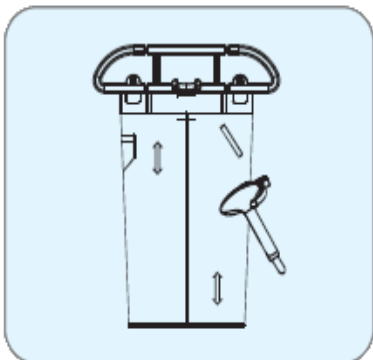
2. Hang the clothes on the hanger. Move the steam nozzle back and forth on the clothes.



3. If the clothes are covered in dust or hair etc., install the brush onto the ironing head to brush away.



4. When ironing the collar or cuffs, use the auxiliary ironing board to achieve the best results.

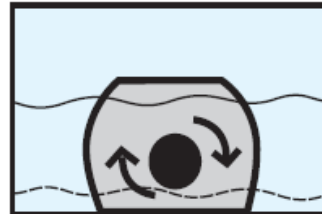


5. Use the trouser clip to hang the trousers. Put one hand into the trousers and move back and forth with the ironing head. Press the button on the multifunctional brush to clamp the trousers to the ironing head.

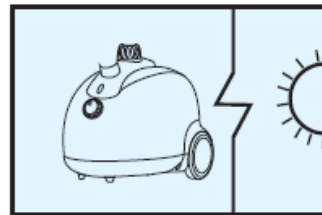
## Storage



After use, allow the steamer to cool for at least 30 minutes.



Unscrew the drain valve and drain the residual water from the main body. Tighten the valve after the water has drained.



After the water is cleared from the water tank and main body, store the steamer in a warm, dry place.

## Before use after storage

- Check the tank for sediments before use.
- Check the pipe for any obstructions.
- Check the power cord, if damaged do not operate the appliance until repaired.

# Cleaning and Maintenance

Over time, limescale may build up in the garment steamer. Limescale may cause the steam pipe to become blocked and the performance of the steamer will become reduced. In soft water areas, it is recommended to de-scale the steamer every two to three months. In hard water areas, it is recommended every one to two months.

## CLEANING LIMESCALE FROM THE STEAMER:

1. Add white vinegar and water into the tank, mixed to a ratio of 1:1 and fill the tank.
2. Install the tank into the machine and turn on the power. Let the machine run for 10 minutes.
3. Turn the machine off and drain the tank.
4. Add some clean water after the tank has been drained and shake until the residual vinegar and lime scale is removed.

## TROUBLESHOOTING

<b>PROBLEM</b>	<b>CAUSE</b>	<b>SOLUTION</b>
<b>Does not work</b>	- Damaged power cord - Broken switch	- Have machine checked by a professional or replace the unit
<b>Reduced steam production</b>	- Steam tube blocked by limescale - Voltage is too low	- Clean the steamer and steam tube to remove limescale - Check the power supply
<b>Tank deformation</b>	- Hot water has been added to the tank	- The tank can still be used or the user may replace the tank if needed
<b>Steam leaking from tank</b>	- Steam tube blocked by limescale - Steam pipe is bent	- Clean the steamer and steam tube to remove limescale - Ensure that the steam pipe is straight
<b>Nozzle leakage</b>	- Nozzle may be broken - When in operation the nozzle is being held downwards	- Replace the nozzle - Ensure that the nozzle is always held vertically
<b>Hissing sounds from tank</b>	- Steam pipe is bent - When in operation the nozzle is being held downwards	- Ensure that the steam pipe is straight - Ensure that the nozzle is always held vertically

**HAVE A QUESTION ABOUT YOUR PURCHASE?**  
OUR DEDICATED CUSTOMER SERVICES TEAM ARE HAPPY TO HELP  
CONTACT THEM VIA:

TELEPHONE: 020 3600 2255

EMAIL: [cservice@oypla.com](mailto:cservice@oypla.com)

LIVE CHAT: [www.oypla.com](http://www.oypla.com)

PLEASE RETAIN A COPY OF THESE INSTRUCTIONS FOR FUTURE CONSULTATION



**Environmental Protection**

**OYPLA.COM**

An Official OYPLA Branded Product



Products bearing the symbol shown below means that used electrical and electronic equipment (WEEE) should not be mixed with general household waste. For proper treatment, recovery and recycling, please take this product(s) to designated collection points where it will be accepted free of charge. Disposing of this product correctly will help save valuable resources and prevent any potential negative effects on human health and the environment, which could otherwise arise from inappropriate waste handling. Please contact your local authority for further details of your nearest designated collection point. Penalties may be applicable for incorrect disposal of this waste, in accordance with your national legislation.



Imported by Oypla.com LLP, Uxbridge, UB8 2FX

**USER MANUAL Model No: 3708**