

DIY

THANK YOU FOR YOUR ORDER

Contents

- 1 Front Cover
-
- 2 Safety
Instructions
-
- 2 Warning
-
- 2 Assembly
Instructions
-
- 4 Back Cover

End



Heavy Duty 5 Tier Shelving

Contents

1	Front Cover
-	-
2	Safety Instructions
-	-
2	Warning
-	-
2	Assembly Instructions
-	-
4	Back Cover

End


Safety Instructions


Notice: Ensure you read and fully understand instructions before use

While every attempt is made to ensure the highest degree of protection in all equipment, we cannot guarantee freedom from injury. The user assumes all risk of injury due to use. All merchandise is sold on this condition, which no representative of the company can waive or change.

- This product is not a toy, and should only be used for its designated purpose.
- Make sure that the racking platforms are secure before applying any weight to them.
- Only use this product on stable, level and dry ground.
- Leaving this product outside exposed to weather, especially direct sun, rain and salt air, will speed the weathering process. This can be slowed by removing the product from these conditions, or covering it with a suitable cover.
- This product contains sharp parts. Be careful and ensure appropriate PPE is worn during assembly and use.
- Do not carry out alterations or modifications to this product.
- Do not discard any of the packaging until you have checked that you have all of the parts and fittings required.
- When adjusting the height of the shelves, be sure that the shelving is securely held in place after adjusting the height, to avoid it falling due to weight application.
- Clean only with a damp cloth. Do not use any strong industrial cleaning substances or abrasive materials, as these may damage the product.
- If the product is damaged or defective, please contact cservice@oypla.com

Warning

 Do not overload the shelves! The maximum capacity for each shelf is 150kg, and the overall weight capacity is 750kg.

 Ensure appropriate PPE is worn at all times. This product contains sharp parts that could cause personal injury.

Assembly Instructions

Parts List:


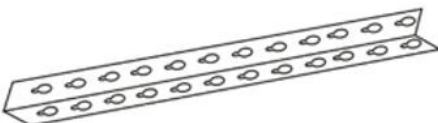



- If you are missing any of the below parts, please contact cservice@oypla.com
- Please be aware that you will be referring to this parts list throughout the assembly process.

PARTS LIST CONTINUES ON FOLLOWING PAGE

Contents

- 1 Front Cover
-
- 2 Safety Instructions
-
- 2 Warning
-
- 2 Assembly Instructions
-
- 4 Back Cover

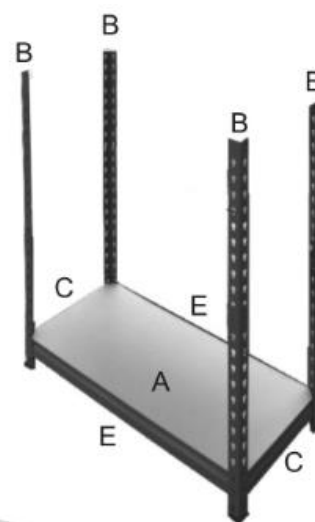
End

PART LETTER	PART IMAGE	QUANTITY
A		5
B		8
C		10
D		8
E		10

*The use of a rubber mallet can be very helpful when assembling these shelves, to help gently press the parts together.

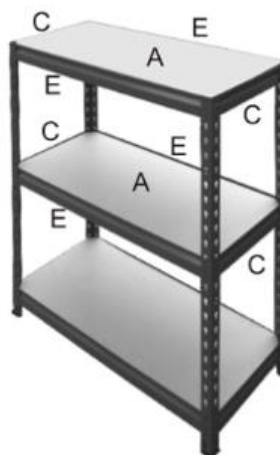
1

Take an upright support (Part B) and connect a long horizontal support (part E) by placing the tongue through the hole and pushing down. Once you have completed this, grab another upright support (part B) and connect onto the other end, then connect a short horizontal support (part C) and repeat this until you have a base to place the



2

Repeat the steps from step 1 until you have completed three layers of shelving.



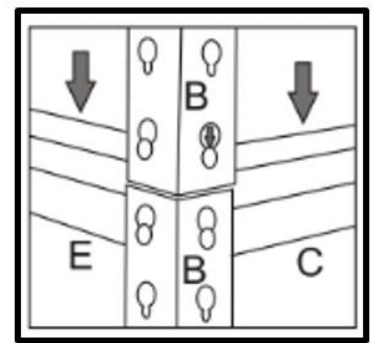
Contents

- 1 Front Cover
-
- 2 Safety Instructions
-
- 2 Warning
-
- 2 Assembly Instructions
-
- 4 Back Cover

End

3

When connecting the final two tiers, use a long horizontal support (part E) and use one tongue on each of the top and bottom upright support. (Use the boxed image to the right for reference). When you have completed this on all sides, follow the previous steps in order to assemble the last half.



Once the shelves are fully assembled, place one support cap (part D) on each of the ends of the upright supports (part B). This will cover the tops and bottoms and give a form of protection across the thin metal pieces. Once all caps are placed, the product is fully assembled.



HAVE A QUESTION ABOUT YOUR PURCHASE?

Our dedicated customer services team are happy to help. Contact them via:

Telephone: 020 3600 22 55
Email: cservice@oypla.com
Live Chat: WWW.OYPLA.COM

CONSIDER THE ENVIRONMENT!

In the United Kingdom, approximately 5 billion corrugated boxes are used per year, amounting to around 83 per person! By recycling the cardboard box in which this product was packed, you contribute to the preservation and sustainability of the environment.

If you see a recycling logo on the packaging of your product, such as the below examples, that piece of packaging is recyclable. If there is not a recycling logo, please check with your local authorities before recycling.



PLEASE RETAIN A COPY OF THESE INSTRUCTIONS FOR FUTURE CONSULTATION

OYPLA.COM

AN OFFICIAL OYPLA BRANDED PRODUCT

Imported by Oypla.com LLP, Uxbridge, UB8 2FX