

KIDS

THANK YOU FOR YOUR ORDER

Contents

- 1 Front Cover
-
- 2 Safety
Instructions
-
- 3 Assembly
Instructions
-
- 8 Back Cover

End



Play Kitchen

Contents

1	Front Cover
-	-
2	Safety Instructions
-	-
3	Assembly Instructions
-	-
8	Back Cover
	End


Safety Instructions


Notice: Ensure you read and fully understand instructions before use

While every attempt is made to ensure the highest degree of protection in all equipment, we cannot guarantee freedom from injury. The user assumes all risk of injury due to use. All merchandise is sold on this condition, which no representative of the company can waive or change.

- Adult assembly is required for this product; small or sharp parts may be present prior to assembly.
- Unpacking, installing and fixing the parts are to be completed by an adult.
- This product is only suitable for children aged three and above.
- Children should be supervised at all times when using the product.
- Clean only with a damp cloth. Do not use strong industrial cleaning substances.
- Keep away from fire.
- If the product is damaged or has any defects, please contact cservice@oypla.com
- Make sure all fastenings are tightly in place and that everything is in order before using the product. This should be checked periodically by an adult.
- Remove any packaging before giving toy to child.
- Do not carry out alterations or modifications to this product.
- Only use this product on stable, level and dry ground.
- This product is for domestic use only.
- Do not discard any of the packaging until you have checked that you have all of the parts and fittings required.

Warnings

 Choking hazard. Not suitable for children under 3 years.

 Adult assembly is required for this product; small or sharp parts may be present prior to assembly.











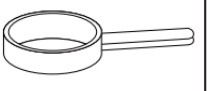

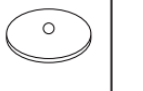









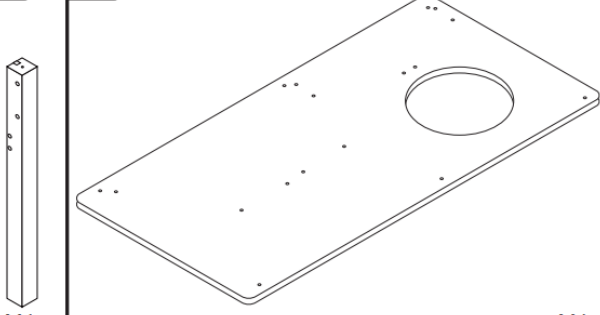
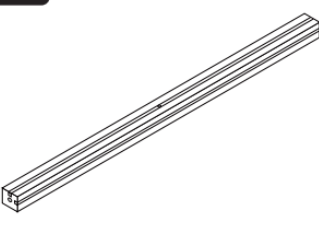
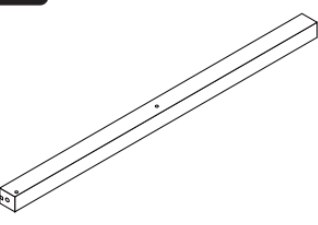
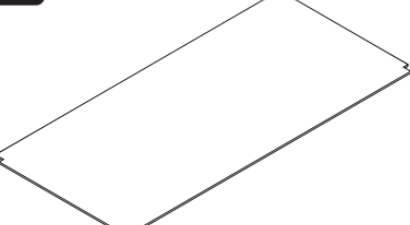
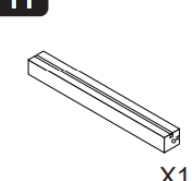
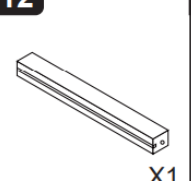
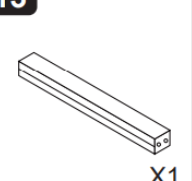
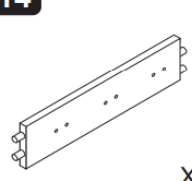
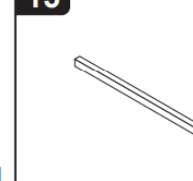
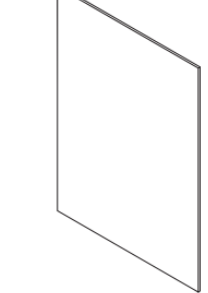
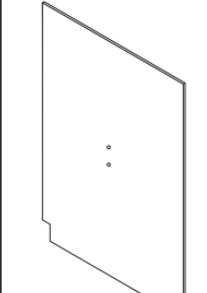
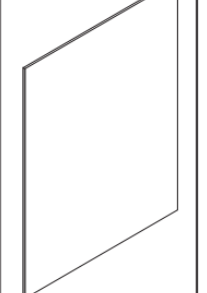
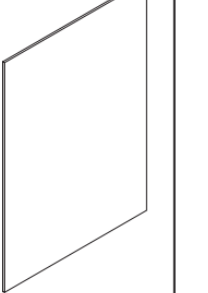
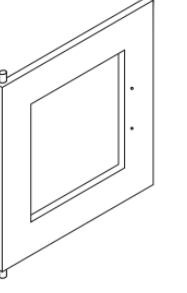
Contents

Assembly Instructions

Parts List:

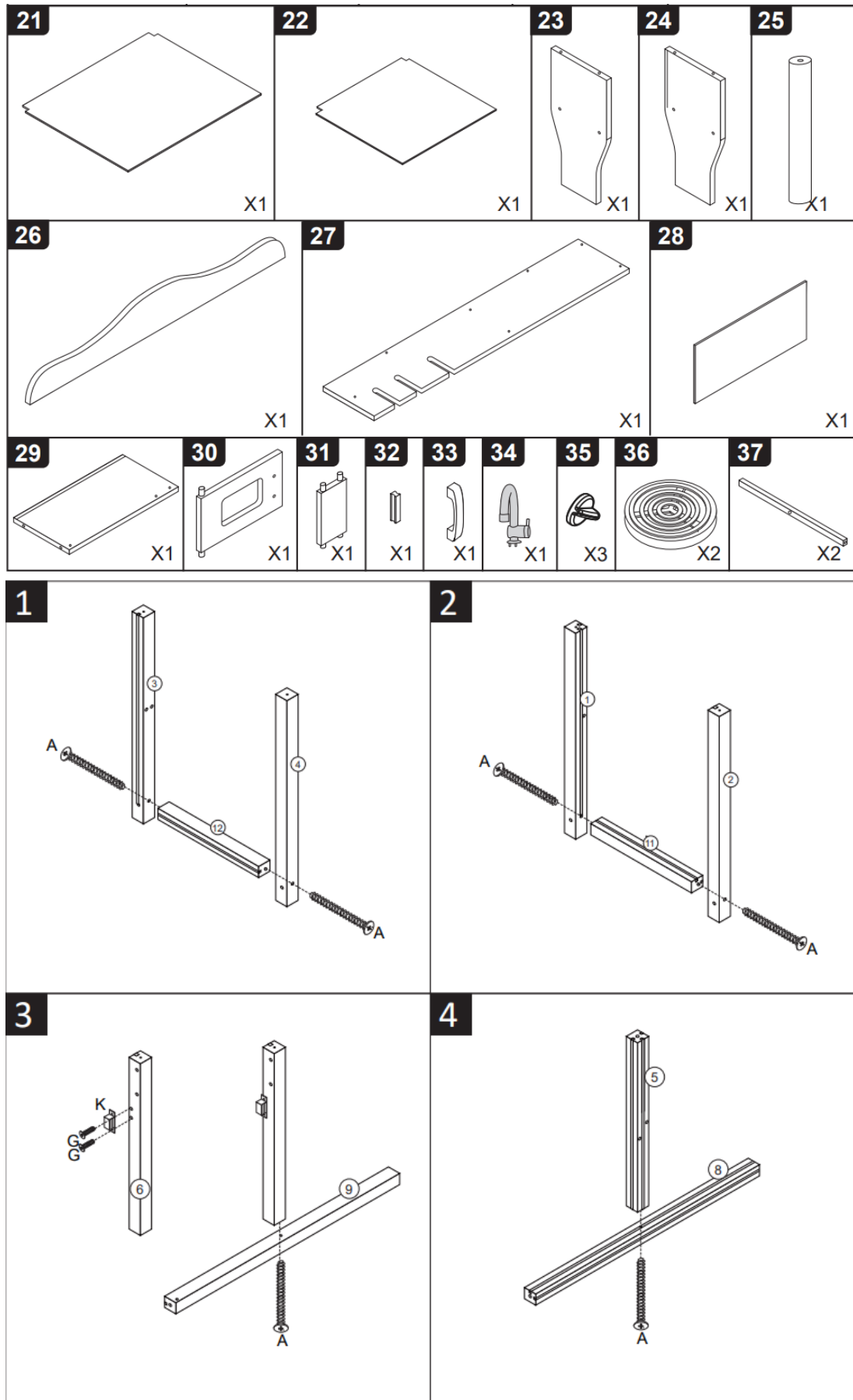
- If you are missing any of the below parts, please contact cservice@oypla.com
- Please be aware that you will be referring to this parts list throughout the assembly process.

1	Front Cover
-	
2	Safety Instructions
-	
3	Assembly Instructions
-	
8	Back Cover
	End

A  X10	B  X14	C  X8	D  X4	E  X4	F  X2	G  X8	H X2	I X2	J X10	K X2
 X1	 X1	 X1	 X1	 X1	 X1	 X1				
1  X1	2  X1	3  X1	4  X1	5  X1	6  X1	7  X1				
8  X1	9  X1	10  X1								
11  X1	12  X1	13  X1	14  X1	15  X1						
16  X1	17  X1	18  X1	19  X1	20  X1						

Contents

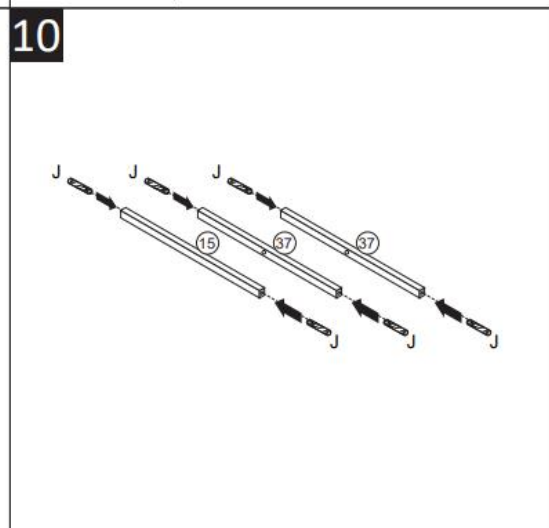
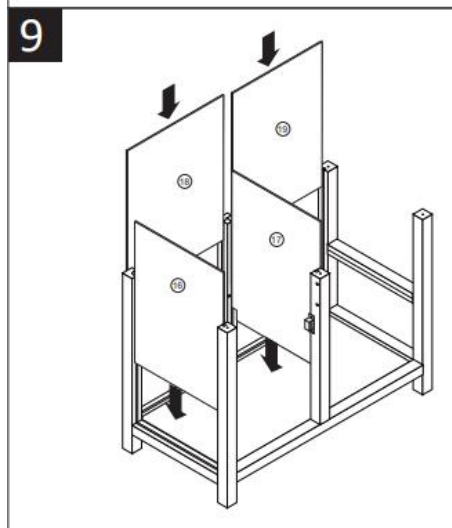
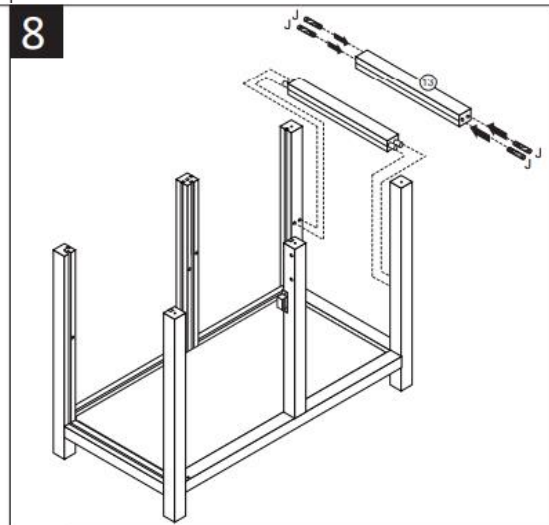
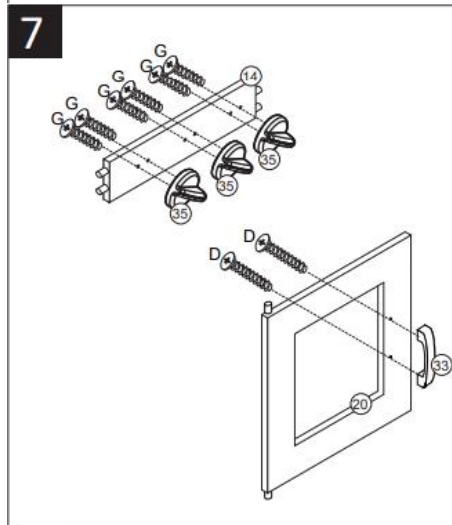
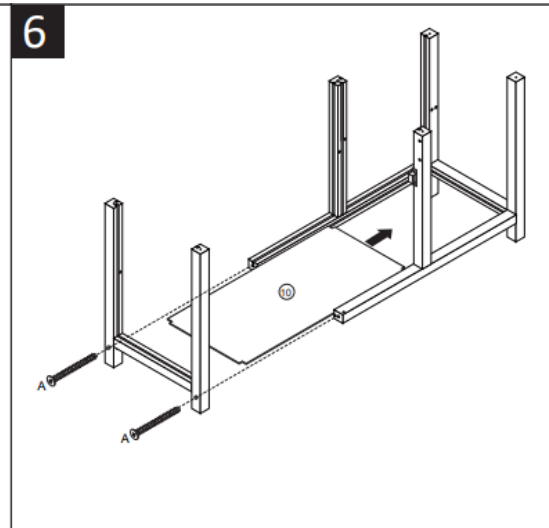
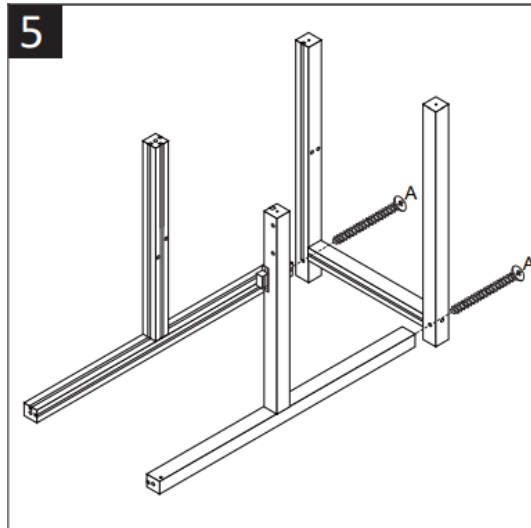
- 1 Front Cover
-
- 2 Safety Instructions
-
- 3 Assembly Instructions
-
- 8 Back Cover
- End



Contents

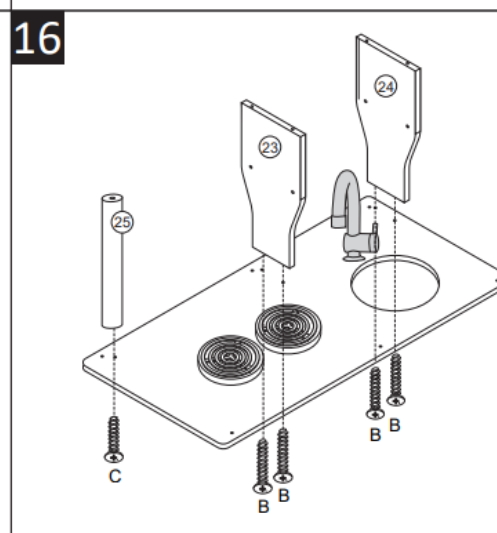
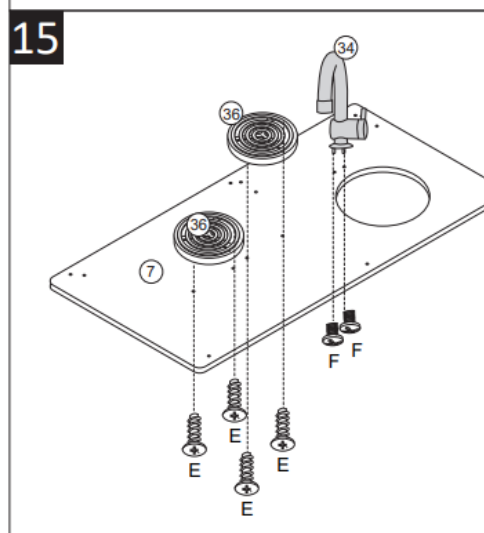
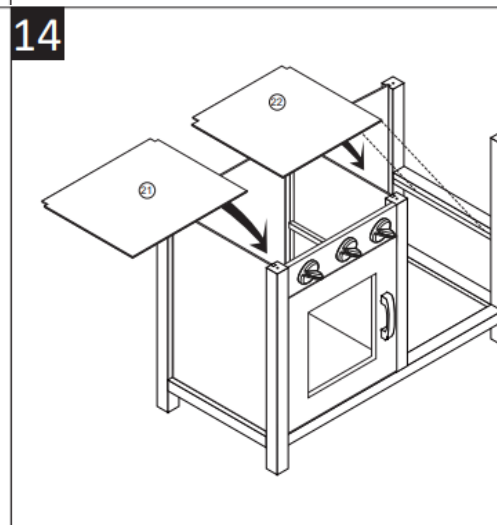
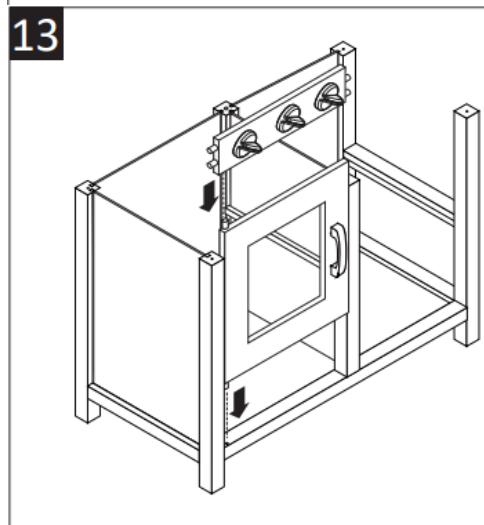
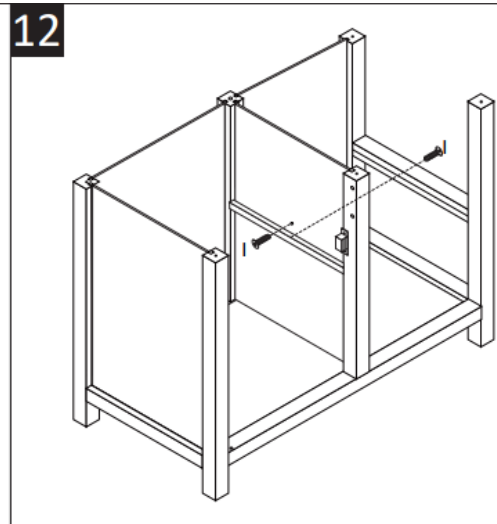
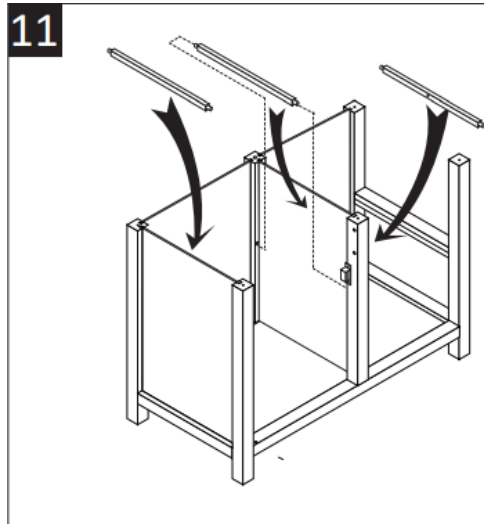
- 1 Front Cover
-
- 2 Safety Instructions
-
- 3 Assembly Instructions
-
- 8 Back Cover

End



Contents

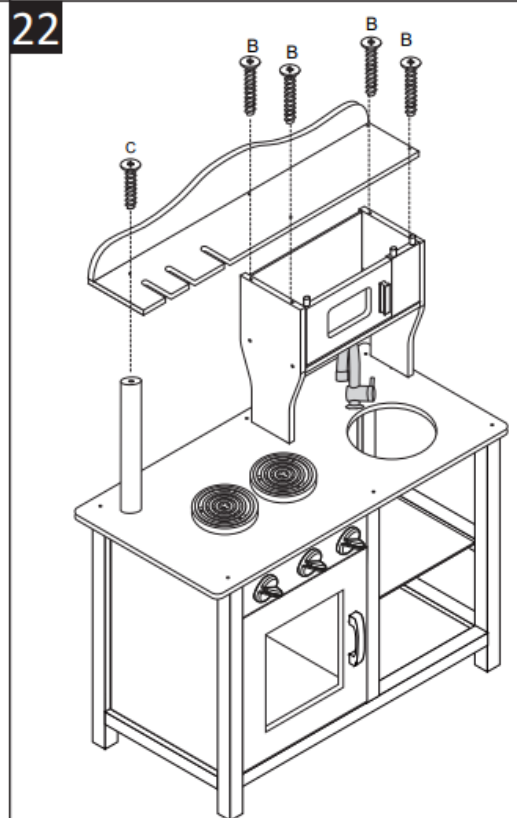
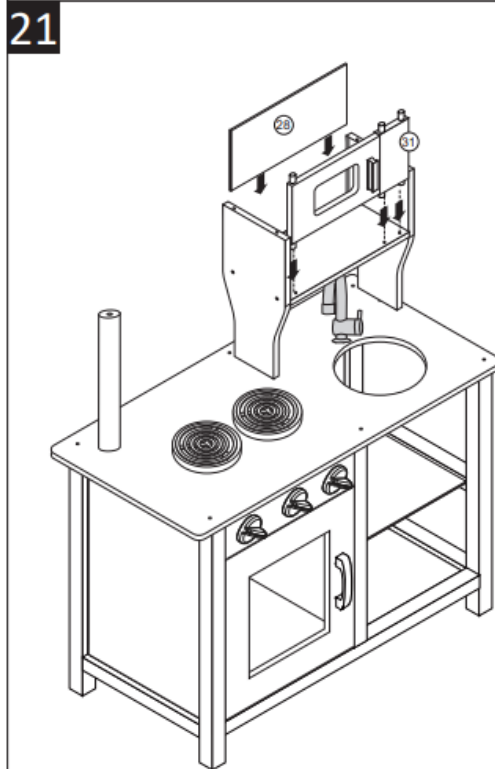
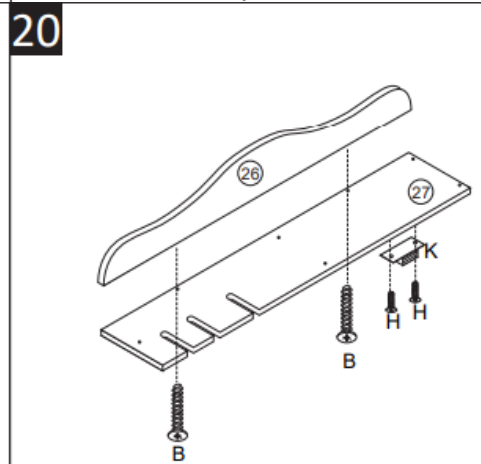
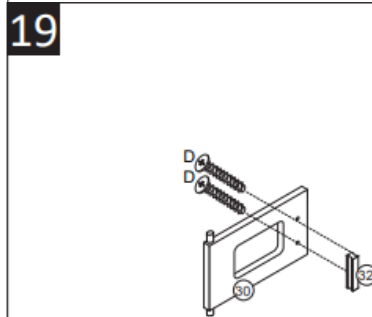
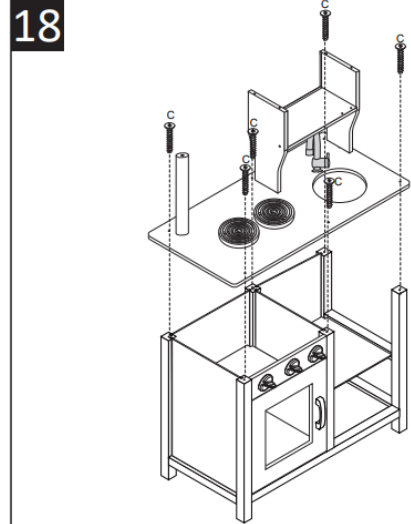
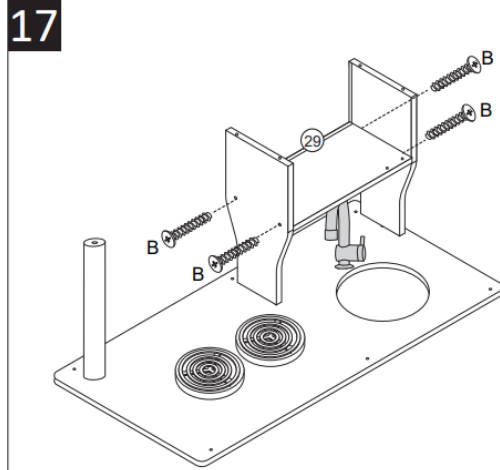
- 1 Front Cover
 -
 - 2 Safety Instructions
 -
 - 3 Assembly Instructions
 -
 - 8 Back Cover
- End



Contents

- 1 Front Cover
-
- 2 Safety Instructions
-
- 3 Assembly Instructions
-
- 8 Back Cover

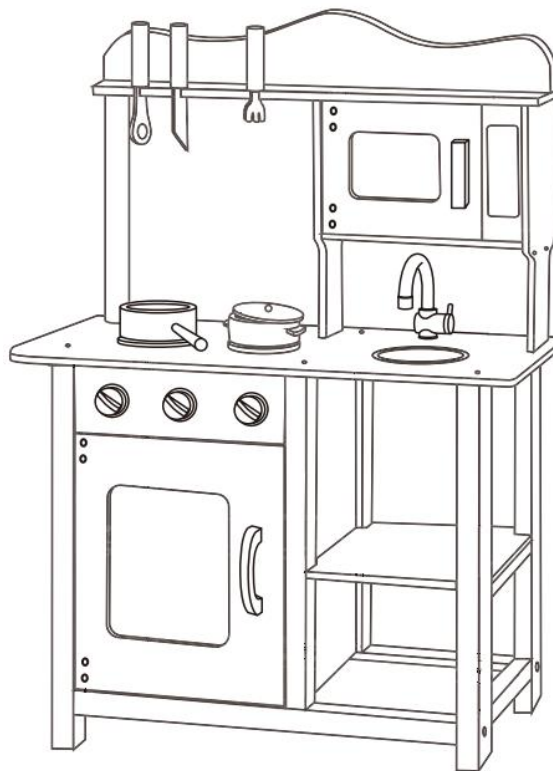
End



Contents

- 1 Front Cover
-
- 2 Safety Instructions
-
- 3 Assembly Instructions
-
- 8 Back Cover

End



HAVE A QUESTION ABOUT YOUR PURCHASE?

Our dedicated customer services team are happy to help. Contact them via:

Telephone: 020 3600 22 55
Email: cservice@oypla.com
Live Chat: WWW.OYPLA.COM

CONSIDER THE ENVIRONMENT!

In the United Kingdom, approximately 5 billion corrugated boxes are used per year, amounting to around 83 per person! By recycling the cardboard box in which this product was packed, you contribute to the preservation and sustainability of the environment.

If you see a recycling logo on the packaging of your product, such as the below examples, that piece of packaging is recyclable. If there is not a recycling logo, please check with your local authorities before recycling.



PLEASE RETAIN A COPY OF THESE INSTRUCTIONS FOR FUTURE CONSULTATION

OYPLA.COM

AN OFFICIAL OYPLA BRANDED PRODUCT