

LEISURE

THANK YOU FOR YOUR ORDER

Contents

- 1 Front Cover
-
- 2 Safety
Instructions
-
- 3 Operating
Instructions
-
- 4 Back Cover

End



6ft Trestle Table

Contents

1	Front Cover
-	-
2	Safety Instructions
-	-
3	Operating Instructions
-	-
4	Back Cover

End


Safety Instructions


Notice: Ensure you read and fully understand instructions before use

While every attempt is made to ensure the highest degree of protection in all equipment, we cannot guarantee freedom from injury. The user assumes all risk of injury due to use. All merchandise is sold on this condition, which no representative of the company can waive or change.

- Make sure all fastenings are tightly in place and that everything is in order before using this table. This should be checked periodically by an adult.
- This product is not a toy, and is only to be used for its designated purpose.
- Keep fingers, loose clothing, jewellery and hair away when folding or unfolding the product.
- Only use this product on stable, level and dry ground.
- Make sure the table legs are secured using the metal rings before placing any weight on the table top.
- Never sit or stand on the table.
- Children should be supervised at all times when around and using this product.
- Clean only with a damp cloth. Do not use any harsh or industrial cleaning substances or chemicals, as these may damage the product.
- Leaving the product outside exposed to weather, especially direct sun and rain, will speed the weathering process. This can be slowed by removing the product from these conditions, or by using a suitable cover.
- If the product is damaged or defective, please contact cservice@oypla.com

Warnings

 Do not exceed the maximum weight capacity of 100kg.

 Pinch points cause injury! Keep loose clothing, jewellery, hair and fingers away when folding/unfolding the table.

Contents

- 1 Front Cover
-
- 2 Safety Instructions
-
- 3 Operating Instructions
-
- 4 Back Cover

End

Operating Instructions

Please refer to the diagram below for instructions on how to operate your product.

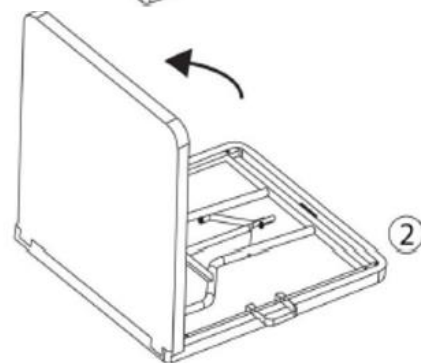
1

Lightly place the table onto a flat surface. Make sure the surface is not rough or sharp, as this may result in damage and defect to the table.



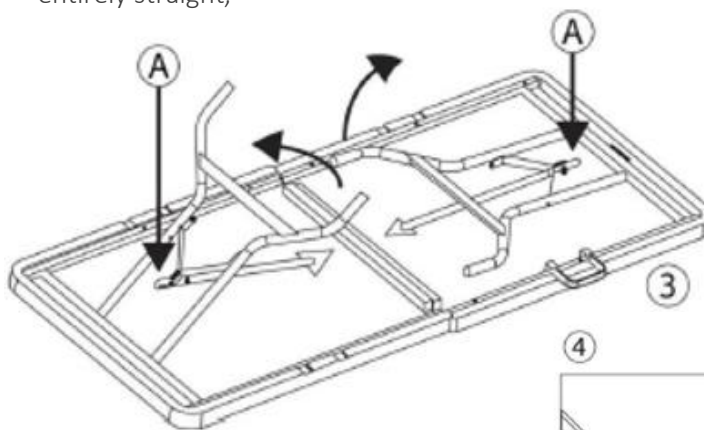
2

Find the opening point marked as A on the diagram. Force may be needed to pull the table apart, as it can be stiff upon first time use. Once open, lay the table flat like the image in the next steps.



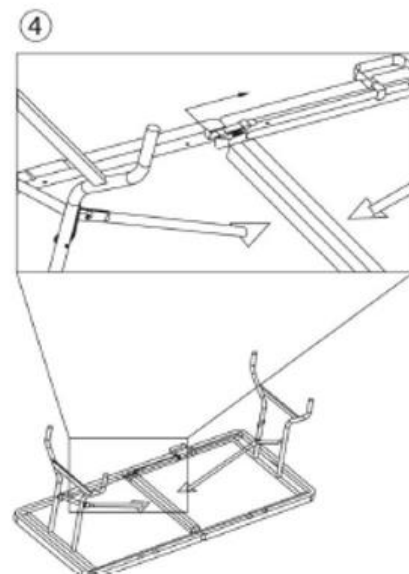
3

Slowly lift the legs up into a 90-degree position, making sure joints marked as A are clear of any items. Then, push up and down on joints A until they are entirely straight,



4

Use the table's locking mechanism to secure it into place. Please see image 4 to locate the locking mechanism.



Model Code: 3594

Oypla.com LLP / www.oypla.com

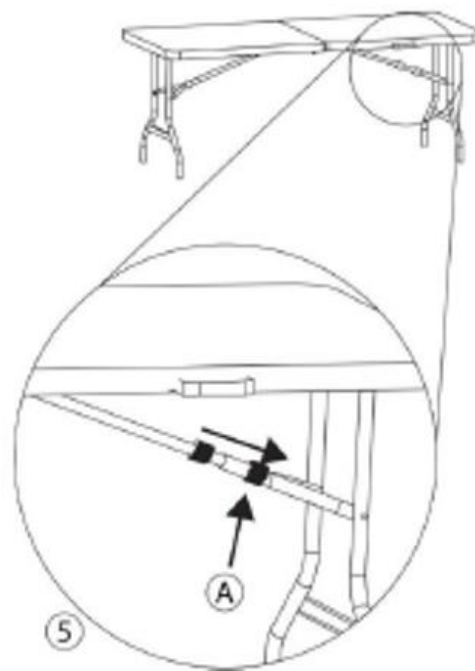
Contents

- 1 Front Cover
-
- 2 Safety
Instructions
-
- 3 Operating
Instructions
-
- 4 Back Cover

End

5

Carefully flip the table into its standing position. Slide both locks over joins A to secure both legs into place.



HAVE A QUESTION ABOUT YOUR PURCHASE?

Our dedicated customer services team are happy to help. Contact them via:

Telephone: 020 3600 22 55
Email: cservice@oypla.com
Live Chat: WWW.OYPLA.COM

CONSIDER THE ENVIRONMENT!

In the United Kingdom, approximately 5 billion corrugated boxes are used per year, amounting to around 83 per person! By recycling the cardboard box in which this product was packed, you contribute to the preservation and sustainability of the environment.

If you see a recycling logo on the packaging of your product, such as the below examples, that piece of packaging is recyclable. If there is not a recycling logo, please check with your local authorities before recycling.



PLEASE RETAIN A COPY OF THESE INSTRUCTIONS FOR FUTURE CONSULTATION

OYPLA.COM

AN OFFICIAL OYPLA BRANDED PRODUCT

Imported by Oypla.com LLP, Uxbridge, UB8 2FX

Model Code: 3594

Oypla.com LLP / www.oypla.com