

THANK YOU FOR YOUR ORDER

## Contents

- 1 Front Cover
- 2 Safety Instructions
- 3 Assembly Instructions
- 4 Operating Instructions
- 5 Cleaning Instructions
- 6 Back Cover



# Paint Sprayer

## Contents

1	Front Cover
2	<u>Safety Instructions</u>
3	Assembly Instructions
4	Operating Instructions
5	Cleaning Instructions
6	Back Cover

# Safety Instructions

## Notice: Ensure you read and fully understand instructions before use

While every attempt is made to ensure the highest degree of protection in all equipment, we cannot guarantee freedom from injury. The user assumes all risk of injury due to use. All merchandise is sold on this condition, which no representative of the company can waive or change.

- Make sure all fastenings are tightly in place and that everything is in order before using the product. This should be checked periodically by an adult.
- Do not discard any of the packaging until you have checked that you have all of the parts and fittings required.
- Do not carry out alterations or modifications to this product.
- This product is not a toy, and is only to be used for its designated purpose.
- Close supervision is needed when appliance is near children.
- Always unplug the product when not in use.
- The product should only be connected to a 230V AC, 50Hz electrical outlet.
- Never move the product by pulling on the lead.
- Inspect the mains lead regularly. Never use the product if the mains lead or plug has been damaged in any way.
- Ensure the work area is kept well lit, well ventilated and clean & tidy at all times.
- Do not use near flammable or explosive liquids, gases or powders or naked flames.
- Avoid contact with earthed surfaces.
- Check for damage before each use. Do not use if any part, including the power cable, is damaged.
- When spraying outdoors, only use extension cables rated for outdoor use.
- Keep dry at all times. Do not get the product wet.
- Always wear a protective mask, safety goggles, gloves, ear protection and suitable clothing and footwear for decorating during use. Paint fumes can be harmful.
- For domestic use only.
- If the product is damaged or has any defects, please contact [cservice@oypla.com](mailto:cservice@oypla.com)

## Contents

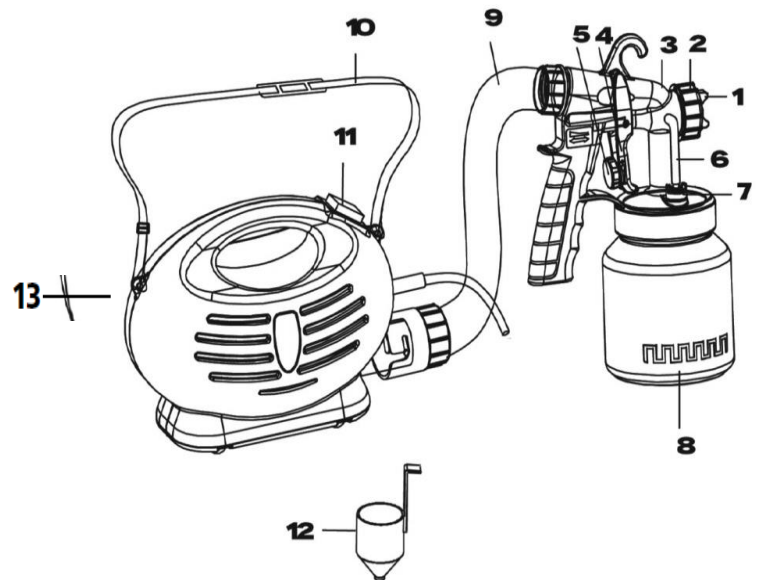
- 1 Front Cover
- 2 Safety Instructions
- 3 Assembly Instructions
- 4 Operating Instructions
- 5 Cleaning Instructions
- 6 Back Cover

# Assembly Instructions

Please check that you have all of the parts listed below before attempting to assemble the product.

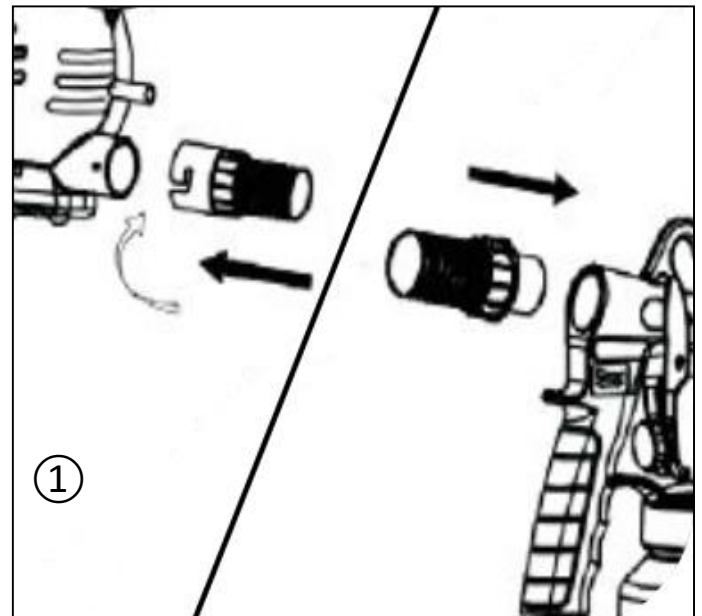
If you are missing any of the below parts, please contact Oypla customer services: [cservice@oypla.com](mailto:cservice@oypla.com)

- 1. Air cap
- 2. Union nut
- 3. Sprayer
- 4. Trigger
- 5. Regulator screw
- 6. Air flow tube
- 7. Suction tube
- 8. Sprayer bottle
- 9. Hose
- 10. Shoulder strap
- 11. On/Off Switch
- 12. Funnel
- 13. Air Pump



## Assembly Process

1. **1.** Attach the hose to the air pump, ensuring the nodule on the side of the air pump housing is aligned with the recess in the hose fitting and twist clockwise to secure.
2. **2.** Push or twist the spray head onto the other end of the hose, ensuring it is fitted securely. See fig. 1
3. **3.** Attach the shoulder strap to



## Contents

- 1 Front Cover
- 2 Safety Instructions
- 3 Assembly Instructions
- 4 Operating Instructions
- 5 Cleaning Instructions
- 6 Back Cover

# Operating Instructions

## Preparing Materials

- The paint gun can be used to spray paint, lacquer or varnish.
- First, measure the viscosity of the paint by dipping the funnel into the paint until it is full of paint and timing how long it takes to drain out of the funnel, see recommended viscosity table below:

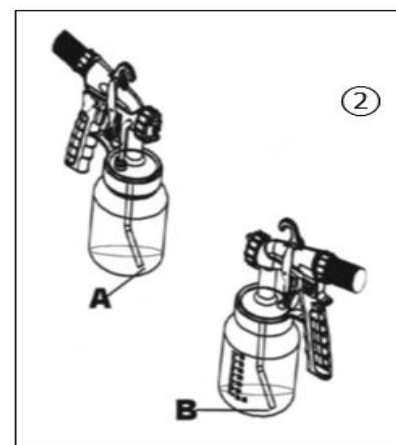
Substance	Funnel Drain Time
Water-based paint, emulsion	25-50 seconds
Enamel paint, water-based or solvent-based coloured lacquer	45-50 seconds
Primers	45-50 seconds
Varnish, wood coating, oil, disinfectants, colouring agent	Do not dilute

**Note:** The above table should be used as an approximate guide only. Always follow the manufacturer's instructions supplied with the substance.

- The paint gun can be used with substances with a funnel drain time of 25-50 seconds. Some paints may require diluting slightly until they reach this viscosity.
- Initially dilute the paint with a thinner by 10% and stir well to mix.
- If the diluted paint still does not have the required viscosity, dilute by a further 5% and repeat until the desired viscosity is reached.

## Spraying

- Depending on the angle at which you are spraying, and whether the surface is horizontal or vertical, adjust the suction tube to the desired position to ensure it is pointing towards the section of the container that is lowest during use. See figure 2.
- Fill the container with paint.
- Ensure that all surfaces that are not to be sprayed, e.g. screws, screw threads, skirting boards, wall sockets, etc. are covered.
- Ensure the surface to be sprayed is completely clean before spraying. Pre-treat the surface before spraying if necessary.
- Always test on a piece of cardboard or an inconspicuous area before proceeding.
- Always move the arm and not the wrist when spraying, to ensure an even distance is kept from the target area, typically between 5-15cm.
- Move the paint gun evenly to ensure an even coating.

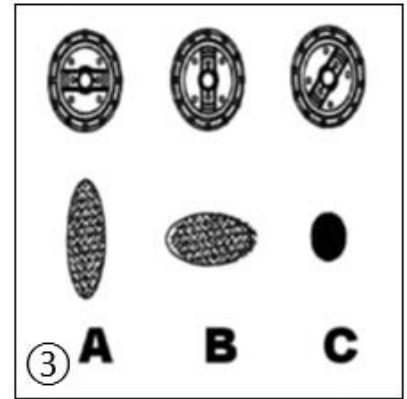


# Contents

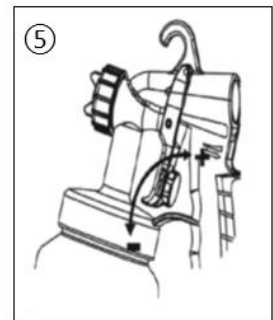
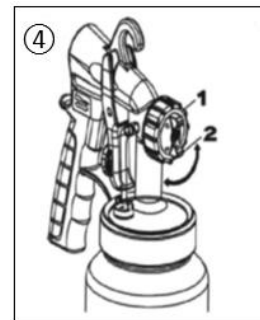
- 1 Front Cover
- 2 Safety Instructions
- 3 Assembly Instructions
- 4 Operating Instructions
- 5 Cleaning Instructions
- 6 Back Cover

## Spray Settings

- There are three spray settings. See figure 3.
- A = Vertical flat jet. Use this for horizontal surfaces.
- B = Horizontal flat jet. Used for vertical surfaces.
- C = Circular jet. Used for edges, corners and hard-to-reach places.



- To adjust the spray setting, turn the screw anti-clockwise approximately two rotations. Twist the air cap to the desired setting and tighten the screw. See figure 4.
- To adjust the volume of paint sprayed, adjust the regulator screw on the trigger handle. Turn anti-clockwise to reduce the volume sprayed and clockwise to increase. See figure 5.



# Cleaning

- Always switch off at the mains and unplug before cleaning.
- Unscrew the sprayer bottle and empty contents back into their original container. Clean the sprayer bottle and the suction tube with a brush. Clean the air vent.
- Pour water or solvent into the sprayer bottle, screw it back onto the paint gun and plug into the mains. Turn the paint gun on and spray the solvent or water into a container or onto a cloth.
- Turn off and unplug from the mains. Remove and empty the sprayer bottle.
- Pull out the suction tube and nozzle joint to clean.
- Remove the air flow tube from the paint gun and unscrew the valve. Remove the membrane and clean all parts carefully before replacing.
- Remove the air cap and nozzle by unscrewing the union nut. Clean the air cap, nozzle and nozzle joint with a brush and solvent or water.
- Clean the outside of the spray gun with a damp cloth and solvent if necessary.

**Note:** Do not use sharp or pointed metal objects to clean the paint gun.

## Contents

- 1 Front Cover
- 2 Safety Instructions
- 3 Assembly Instructions
- 4 Operating Instructions
- 5 Cleaning Instructions
- 6 Back Cover

### HAVE A QUESTION ABOUT YOUR PURCHASE?

OUR DEDICATED CUSTOMER SERVICES TEAM ARE HAPPY TO HELP  
CONTACT THEM VIA:

TELEPHONE: 020 3600 2255

EMAIL: [cservice@oypla.com](mailto:cservice@oypla.com)

LIVE CHAT: [www.oypla.com](http://www.oypla.com)

PLEASE RETAIN A COPY OF THESE INSTRUCTIONS FOR FUTURE CONSULTATION



# OYPLA.COM

An Official OYPLA Branded Product



#### Environmental Protection

Products bearing the symbol shown below means that used electrical and electronic equipment (WEEE) should not be mixed with general household waste. For proper treatment, recovery and recycling, please take this product(s) to designated collection points where it will be accepted free of charge. Disposing of this product correctly will help save valuable resources and prevent any potential negative effects on human health and the environment, which could otherwise arise from inappropriate waste handling. Please contact your local authority for further details of your nearest designated collection point. Penalties may be applicable for incorrect disposal of this waste, in accordance with your national legislation.

