

Contents

- 1 Front Cover
- 2 Safety Instructions
- 3 Operating Instructions
- 5 Back Cover



1.5L Ash Vacuum

Contents

1	Front Cover
2	<u>Safety Instructions</u>
3	Operating Instructions
5	Back Cover

Safety Instructions

Notice: Ensure you read and fully understand instructions before use

While every attempt is made to ensure the highest degree of protection in all equipment, we cannot guarantee freedom from injury. The user assumes all risk of injury due to use. All merchandise is sold on this condition, which no representative of the company can waive or change.

- Make sure all fastenings are tightly in place before using the product. This should be periodically checked by an adult.
- Ensure the mains voltage is the same as the mains voltage specified on the rating label.
- Unplug the power cable when the product is not in use, and before opening the appliance for any cleaning/maintenance work to be carried out.
- Never leave the appliance unattended while operational. It should always be switched off when not in use.
- Keep this product away from children.
- Take care to ensure that the power cable does not get damaged by being run over, crushed, pulled or similar.
- Never leave the power cable on or next to any hot surfaces.
- Do not use the machine if the power cable is damaged.
- Never vacuum any of the following materials or items: Burning matches, smouldering ash, cigarette butts, combustible materials, or any liquids or gases.
- This appliance is for use on **cold** ash only. Leave the area for at least 24 hours to ensure all of the ash is cold and the fire is fully out.
- Only store the appliance in a dry, indoor location.
- This product is not a toy and is only designed for its intended use.
- Only use genuine accessories or parts with this product.
- Do not use the ash filter to extract hot, glowing or inflammable objects, such as charcoal or cigarettes.
- The ash vacuum is not suitable for vacuuming soot or fine dust.
- The extracted material must not exceed a temperature of 40°C, as it brings a fire hazard.
- Check the hoses, the ash filter and the extractor regularly when extracting, to assess levels of heating.
- If the appliance heats up, switch it off, disconnect the mains plug from the socket and remove the filter bag immediately. Separate the ash filter from the extractor and remove the extracted material. Next, let the extractor and the ash filter cool off outside under supervision.
- If the power cable for this appliance is damaged, it must be replaced by a qualified technician to avoid any danger.
- Before and after vacuum cleaning, empty and clean the tank in order to prevent the accumulation of materials which could present a fire hazard in the vacuum cleaner.
- This product is intended for indoor use only.
- Never carry out any alterations or modifications to this product.
- To protect against electrical shock, do not immerse cord or the plug into water.

Contents

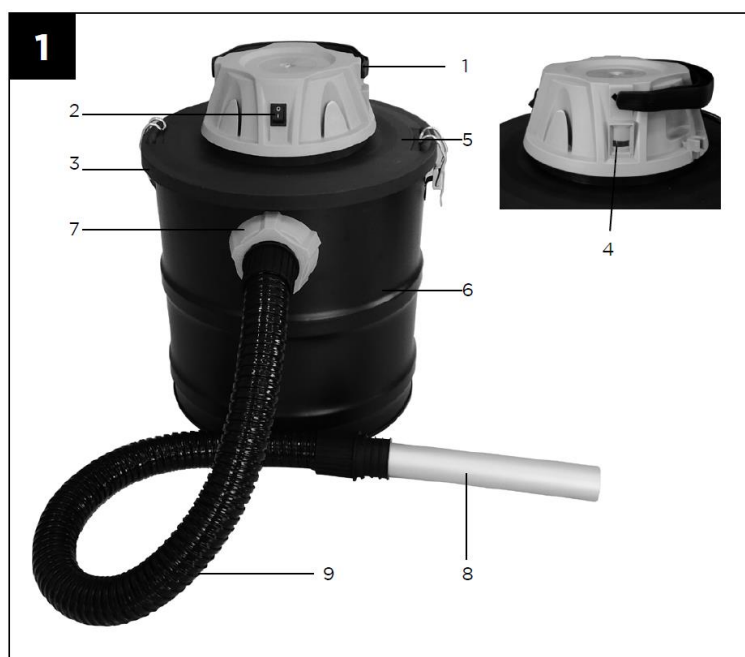
- 1 Front Cover
- 2 Safety Instructions
- 3 Operating Instructions
- 5 Back Cover

- Keep the pipe and tube ends away from the body.
- Keep hair, loose items of clothing, fingers and all other extremities away from the openings and moving parts.
- Never leave the vacuum next to a source of heat.
- This appliance operates using dangerous voltage levels. Never switch it on if the power supply cable is damaged, or if any other damage is visible on the appliance. Never open the housing but instead contact a qualified electrician for help.
- Only use warm, soapy water to clean the product, using a damp (not wet) cloth. Do not use strong, abrasive cleaning chemicals as these can damage the product.
- If the product is damaged or has any defects, please contact cservice@oypla.com

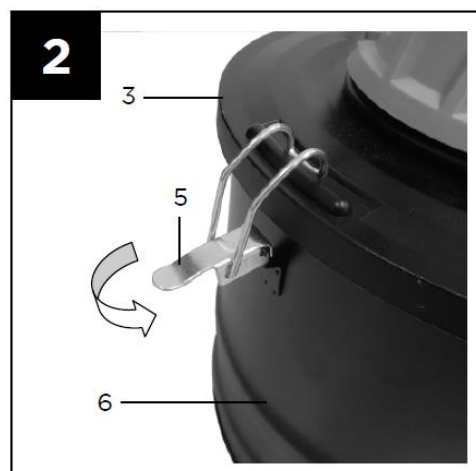
Operating Instructions

Parts List:

If you are missing any of the below parts, please contact cservice@oypla.com



- 1 Handle
- 2 On/Off switch
- 3 Appliance head
- 4 Filling level indicator
- 5 Locking hook
- 6 Tank
- 7 Suction hose connector
- 8 Suction tube



Fitting the appliance head

- The appliance head (3) is fastened to the container (6) by the locking hook (5). To remove the appliance head (3), open the locking hook (5) and remove the appliance head (3). When fitting the appliance head (3), make sure that the locking hook (5) locks into place correctly.
- Plug the vacuum tube (8) onto the end of the suction hose (9).
- Fit the suction hose (9) onto the connection (7) and turn until securely attached.

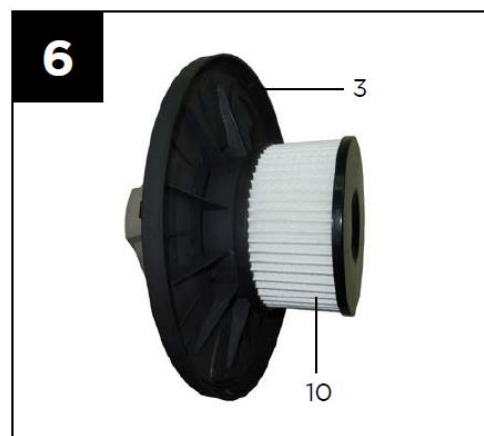
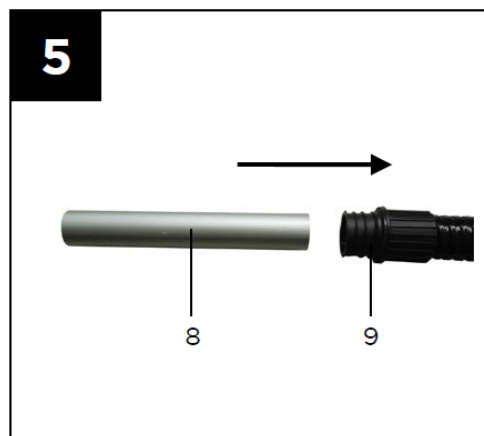
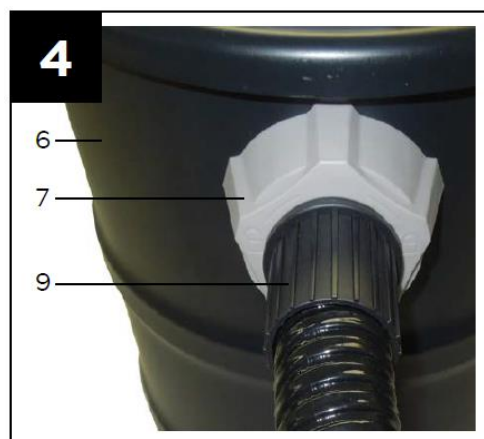
Contents

- 1 Front Cover
- 2 Safety Instructions
- 3 Operating Instructions
- 5 Back Cover



Cleaning the appliance head

Clean the appliance regularly with a damp cloth and some soft soap. Do not use cleaning agents or solvents; these may be aggressive to the plastic parts in the appliance.

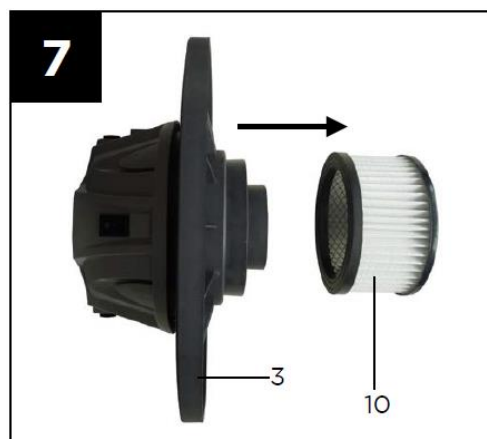


Dismantling/Assembling filter

Remove/attach the filter cartridge (10) from/to the appliance head (3)

Contents

- 1 Front Cover
- 2 Safety Instructions
- 3 Operating Instructions
- 5 Back Cover



Dismantling/Assembling filter (2)



Filling level indicator

The ash vacuum is fitted with a filling level indicator (4). If the filling level indicator (4) shows a red bar, tank contents should be emptied or something block the suction hose and need to be cleared.

HAVE A QUESTION ABOUT YOUR PURCHASE?

OUR DEDICATED CUSTOMER SERVICES TEAM ARE HAPPY TO HELP
CONTACT THEM VIA:

TELEPHONE: 020 3600 2255

EMAIL: cservice@oypla.com

LIVE CHAT: www.oypla.com

PLEASE RETAIN A COPY OF THESE INSTRUCTIONS FOR FUTURE CONSULTATION



OYPLA.COM

An Official OYPLA Branded Product



Environmental Protection

Products bearing the symbol shown below means that used electrical and electronic equipment (WEEE) should not be mixed with general household waste. For proper treatment, recovery and recycling, please take this product(s) to designated collection points where it will be accepted free of charge. Disposing of this product correctly will help save valuable resources and prevent any potential negative effects on human health and the environment, which could otherwise arise from inappropriate waste handling. Please contact your local authority for further details of your nearest designated collection point. Penalties may be applicable for incorrect disposal of this waste, in accordance with your national legislation.



Manual Version: **V1.0**

Model Code: **3569**

Oypla.com LLP / www.oypla.com