



# Knapsack Sprayer

USER MANUAL Model No: 3518 / 3519 / 3553

# Safety Instructions

**Notice: Ensure you read and fully understand instructions before use**

While every attempt is made to ensure the highest degree of protection in all equipment, we cannot guarantee freedom from injury. The user assumes all risk of injury due to use. All merchandise is sold on this condition, which no representative of the company can waive or change.

- The sprayer is designed for the application of agricultural chemicals, disinfectants, cleaning agents etc. Do not spray caustic or corrosive solutions as these will damage the sprayer.
- Wash the inside of the spray tank with clean water after usage.
- Always wear the correct personal protective equipment whilst using, cleaning and servicing the sprayer.
- Lubricate the felt sealing washer at the top of the air chamber with light oil at regular intervals. This ensures smooth operation of the air pump and prevents leakage of spray liquid.
- Do not expose the sprayer to strong sunlight when storing as to prevent deterioration of the tank.
- Store the Knapsack Sprayer in a well-ventilated area, out of the reach of children and animals.
- Always direct the spray downwind of the operator. Spraying into the wind will result in operator contamination.
- Do not smoke whilst using the sprayer.
- If the product is damaged or has any defects, please contact [cservice@oypla.com](mailto:cservice@oypla.com)

**DO NOT ATTEMPT TO FILL THE KNAPSACK SPRAYER  
ABOVE THE CAPACITY LIMIT.**



**ALWAYS WEAR  
SUITABLE PROTECTION**

# Assembly Instructions

## Parts List:

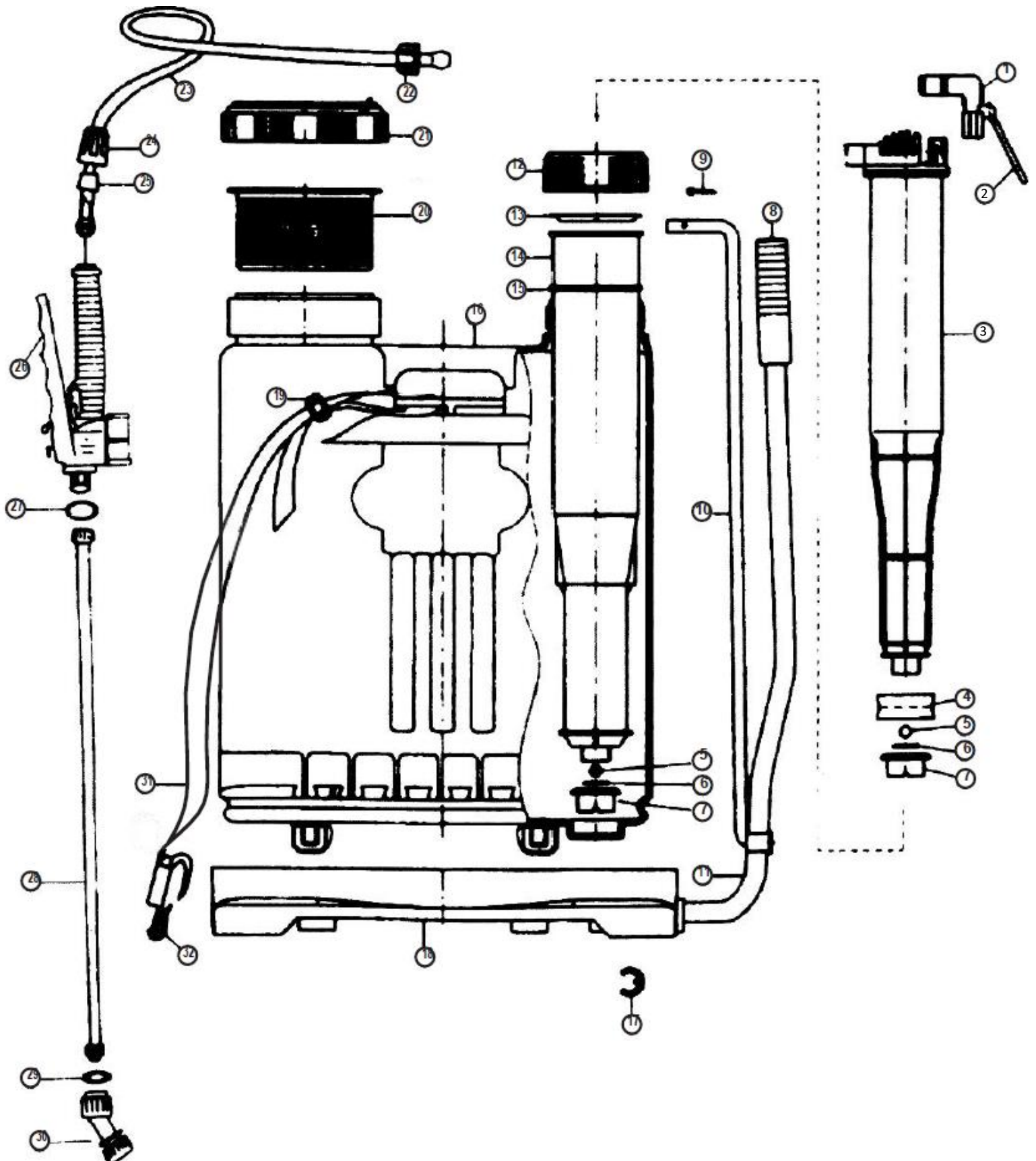
If you are missing any of the below parts please contact [cservice@oypla.com](mailto:cservice@oypla.com)

Please be aware that you will be referring to this parts list throughout the assembly process.

1	Rocker bar fixer
2	Rocker
3	Air compartment
4	Seal valve
5	Seal ball
6	O-ring
7	Valve cap
8	Rocker bar sleeve
9	Split
10	Rod
11	Rocker rod
12	Pressure lid of air compartment
13	Sealing washer
14	Air chamber
15	O-ring
16	Handle

17	Rocker bar fastener
18	Bottom case
19	Buckle
20	Filter
21	Medical chest lid
22	Net of hose connector
23	Hose
24	Not of lance connector
25	Clue cap
26	Switch
27	O-ring
28	Lance
29	O-ring
30	Nozzle
31	Straps
32	Hooked hook

# Assembly Diagram



**HAVE A QUESTION ABOUT YOUR PURCHASE?**

OUR DEDICATED CUSTOMER SERVICES TEAM ARE HAPPY TO HELP  
CONTACT THEM VIA:

TELEPHONE: 020 3600 2255

EMAIL: [cservice@oypla.com](mailto:cservice@oypla.com)

LIVE CHAT: [www.oypla.com](http://www.oypla.com)

PLEASE RETAIN A COPY OF THESE INSTRUCTIONS FOR FUTURE CONSULTATION



**OYPLA.COM**

An Official OYPLA Branded Product



Imported by Oypla.com LLP, Uxbridge, UB8 2FX  
**USER MANUAL Model No: 3518 / 3519 / 3553**