



Play Supermarket

Safety Instructions

Notice: Ensure you read and fully understand instructions before use

While every attempt is made to ensure the highest degree of protection in all equipment, we cannot guarantee freedom from injury. The user assumes all risk of injury due to use. All merchandise is sold on this condition, which no representative of the company can waive or change.

- This product contains small parts that could be a choking hazard if swallowed. Keep these items away from children.
- Make sure all fastenings are tightly in place and that everything is in order before using the product. This should be checked periodically by an adult.
- Unpacking, installing and fixing the parts are to be completed by an adult.
- Remove any packaging before giving toy to child.
- This product is intended for indoor use only.
- This product is only suitable for children aged three and above.
- Do not carry out alterations or modifications to this product.
- Children should be supervised at all times when using the product.
- Clean only with a damp cloth. Do not use strong industrial cleaning substances.
- Only use this product on stable, level and dry ground.
- This product is for domestic use only.
- Do not discard any of the packaging until you have checked that you have all of the parts and fittings required.
- Keep away from fire.
- If the product is damaged or has any defects, please contact cservice@oypla.com

Assembly Instructions

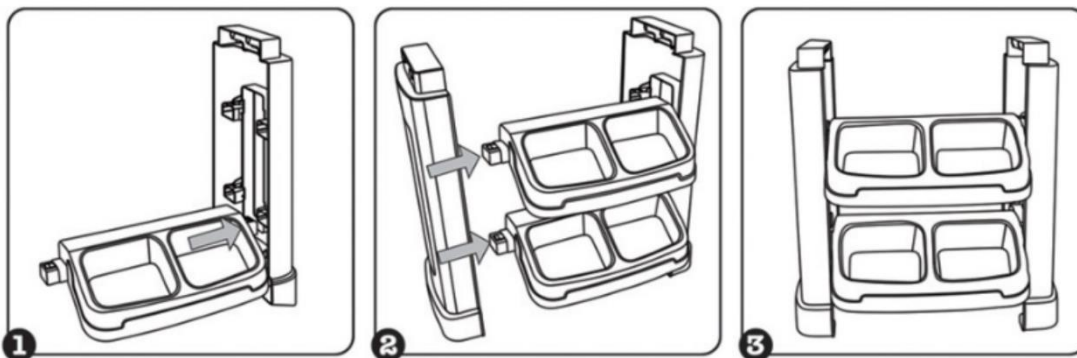
Parts List:

Please check you have all parts below before attempting to assemble this product.

If you are missing any of the below parts, please contact Oypla customer services:
cservice@oypla.com

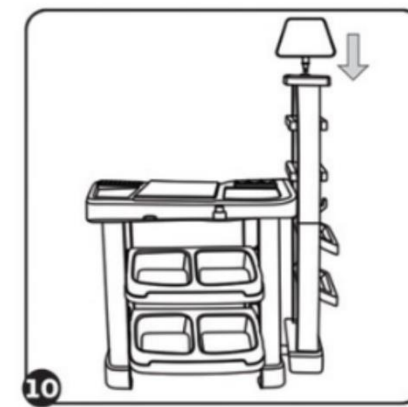
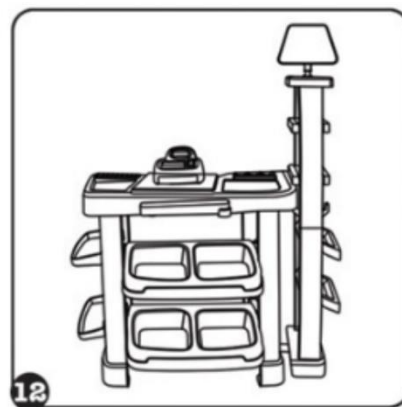
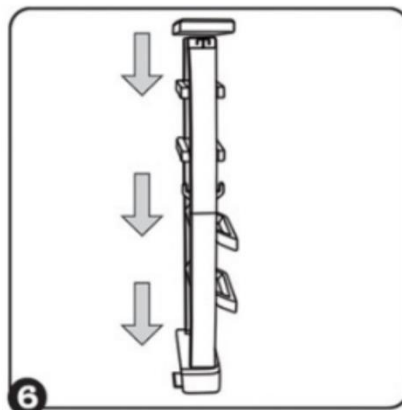
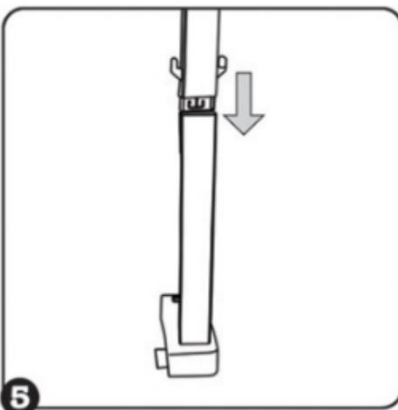
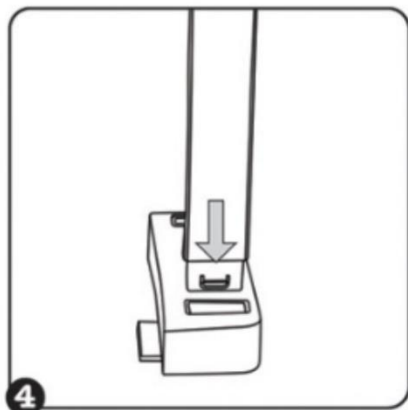
Please be aware you will be referring to this parts list throughout the assembly process.

Assembly process



Assembly Instructions

Assembly process



Electrical Safety

Battery Warning:

- Do not mix old and new Batteries.
- Do not mix Alkaline, standard or rechargeable batteries.
- Remove batteries when product is stored for a long period of time or when batteries are exhausted.
- Dispose of exhausted batteries properly.
- Non-rechargeable batteries are not to be recharged.
- Rechargeable batteries are only to be charged under adult supervision.
- Only the recommended batteries or equivalent are to be used, volts and size.
- Keep all batteries away from children.
- Batteries are to be inserted with correct polarity.

HAVE A QUESTION ABOUT YOUR PURCHASE?

OUR DEDICATED CUSTOMER SERVICES TEAM ARE HAPPY TO HELP
CONTACT THEM VIA:

TELEPHONE: 020 3600 2255

EMAIL: cservice@oypla.com

LIVE CHAT: www.oypla.com

PLEASE RETAIN A COPY OF THESE INSTRUCTIONS FOR FUTURE CONSULTATION

OYPLA.COM

An Official OYPLA Branded Product



Imported by Oypla.com LLP, Uxbridge, UB8 2FX

USER MANUAL Model No: 3481

