



PLEASE READ THIS USER'S MANUAL THOROUGHLY BEFORE USE

**USER MANUAL
WINDOW VACUUM
CLEANER
MODEL NO.: 3450**



SAFETY INSTRUCTIONS (Please keep these instructions)

Please read the entire instruction manual before using the product and then save it for future reference. We reserve the right for any errors in text or images and any necessary changes made to technical data. In the event of technical problems or other queries, please contact our Customer Services.

- The product should only be charged using the provided charger.
- Never leave the product unattended whilst it is switched on.
- If you have to leave the product unattended, even for a short while, always switch it off.
- Keep the product out of children's reach and do not allow children to use it.
- The product is only intended for normal domestic use and only in the manner described in this instruction manual.
- Inspect the charger lead regularly. Never use the charger if the mains lead or plug has been damaged in any way.
- Do not obstruct or cover the air vents on the vacuum.
- Do not spray directly on equipment containing electrical components.
- Never use the vacuum upside-down.

⚡ WARNING ⚡

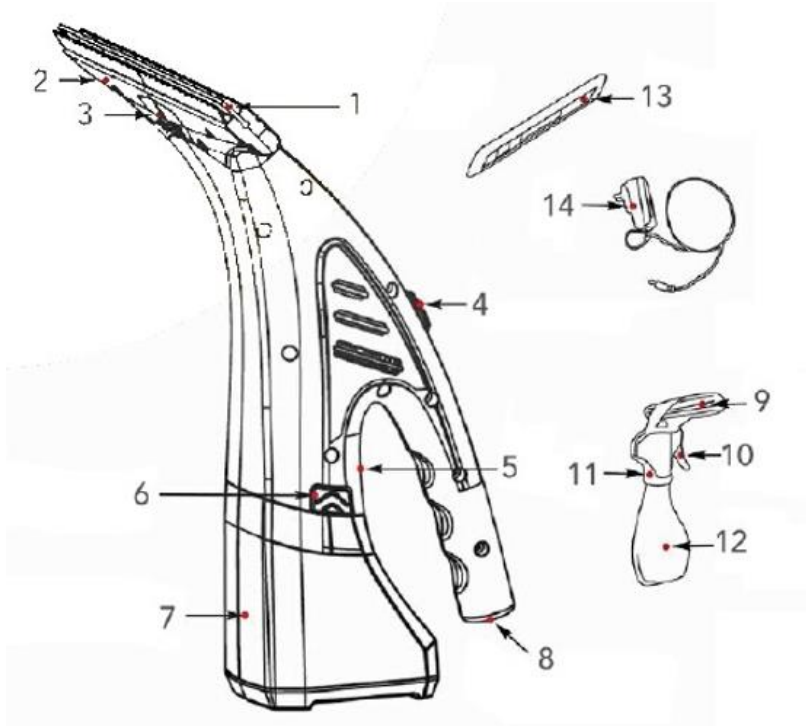
To Reduce The Risk of Fire or Electric Shock, follow these basic precautions:

- Read all instructions before using the window vacuum.
- Never allow children to operate or play with the window vacuum.

-Save these instructions-

USER INSTRUCTIONS (Please keep these instructions)

Product Details



1. Rubber blades
2. Suction head
3. Disconnect button
4. On/off switch
5. Indicator light
6. Tank release button
7. Removable watertank
8. Charger connector
9. Pad holder
10. Spray lever
11. Bottle cap
12. Spray bottle
13. Fabric pad
14. Charger

Assembly

1. Place the attachment onto the suction head with the rubber wiper blades until you hear it lock in.

Note: Depending on the size and accessibility of the surface to be cleaned, use the corresponding attachment (wide or narrow).

2. Attach the spray bottle and wiper attachment and fill it with detergent.
3. Remove the spray head from the spray bottle.
4. Attach the microfibre pad to the spray head.
5. Secure the microfibre pad to the spray head with the ring clamp.

Charging the Battery

1. Insert the charger into an appropriate socket.
2. Insert the charging cable into the back of the appliance.

Note: during the charging process, the charge/operating display will flash. The flashing will stop once the battery is full charged.

3. Recharge the battery after use

Operation

Cleaning with the Spray Bottle and Microfibre Pad

1. Press the spray lever on the bottle to apply the detergent and spray the surface evenly. After, loosen the dirt using the microfibre pad.
Note: rinse pad under running water if needed.
2. Switch the appliance on. The charge/operating display should light up.
3. Maneuver the appliance from top to bottom or sideways to vacuum up the detergent.

Note: Switch the appliance off after each cleaned surface. This will increase your operating time per battery charge. If the battery is losing power (the display light is flashing), recharge the battery

Cleaning without the Spray Bottle and Microfibre Pad

1. Apply detergent to loosen the dirt.
2. Switch the appliance on. The charge/operating display should light up.
3. Maneuver the appliance from top to bottom or sideways to vacuum up the detergent.

USER INSTRUCTIONS (Please keep these instructions)

Emptying the Tank

Once the maximum capacity level of the water tank is reached, please empty the tank.

1. Turn off the appliance
2. Open the lock of the water tank and empty it.
3. Place the tank back and close it.

Care and Maintenance

1. Turn off the appliance.
2. Release the attachment with the rubber wiper blades and remove it from the suction head. Then release the suction head.
3. Clean the suction head and the attachment under running water. Do not wash in a dishwasher.

Caution: the main appliance contains electrical components. Do not clean this under running water.

4. Remove the tank. Rotate the lock and pull out.
5. Empty the tank and rinse with clean water. Close the tank again.
6. Remove the microfibre pad from the spray bottle and clean under running water. The microfibre pad can be cleaned in a washing machine but do not use fabric softener.
7. Let the appliance dry before charging the battery, and storing in a dry place.

Troubleshooting

Failure to Start

- Check the charge/operating display.
- No signal or a slow flashing signal, charge the battery

Not Cleaning Properly

- Clean the rubber wiper blades.
- Reverse the used wiper blades.
- Remove the blades from the housing. Moisten with water or detergent. Reverse the blades and reinstall.
- Replace the rubber wiper blades once worn out.
- If water is leaking from the suction head, empty the water tank

Disposal of Unit

Appliances bearing the symbol shown here may not be disposed of in domestic rubbish. You are required to dispose of old electrical and electronic appliances like this separately. Please visit www.recycle-more.co.uk or www.recyclenow.co.uk for access to information about the recycling of electrical items. Please visit www.weeeireland.ie for access to information about the recycling of electrical items purchased in Ireland. The WEEE directive, introduced in August 2006, states that all electrical items must be recycled, rather than taken to landfill, please arrange to take this appliance to your local Civic Amenity site for recycling, once it has reached the end of its life.



An Official Oypla Branded Product



Imported into the EU by Oypla.com LLP, Uxbridge, UB8 2FX