



COLOUR MAY VARY

Daylight Desk Lamp

Safety Instructions

Notice: Ensure you read and fully understand instructions before use

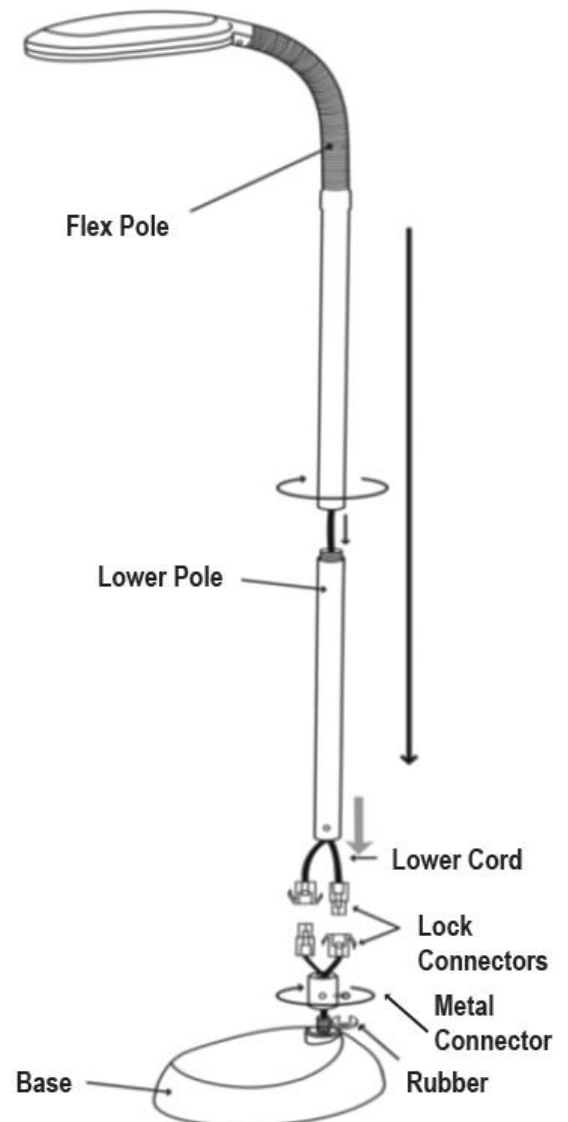
While every attempt is made to ensure the highest degree of protection in all equipment, we cannot guarantee freedom from injury. The user assumes all risk of injury due to use. All merchandise is sold on this condition, which no representative of the company can waive or change.

- This product is not a toy, and is only to be used for its designated purpose.
- Never carry out any alterations or modifications to this product.
- This product is intended for indoor use only.
- Do not use the product if the power cable is damaged. Return the product.
- Ensure the power supply to the socket into which the appliance is plugged, is in accordance with the rating label on the appliance and that the socket is earthed.
- To protect against electrical shock, do not immerse cord, plug or any part of this appliance in water or any other liquid.
- Do not leave the product on for extended periods of time as this will cause the bulb to become hot and may decrease the overall lifespan of the bulb.
- This product contains small parts that could be a choking hazard if swallowed. Keep these items away from children.
- Make sure all fastenings are tightly in place and that everything is in order before using the product. This should be checked periodically by an adult.
- Do not discard any of the packaging until you have checked that you have all of the parts and fittings required.
- Clean only with a damp cloth. Do not use strong industrial cleaning substances or abrasive materials as these will damage the product. Make sure the product is off and has been unplugged from the socket before you clean the product.
- If the product is damaged or has any defects, please contact cservice@oypla.com

Assembly Instructions

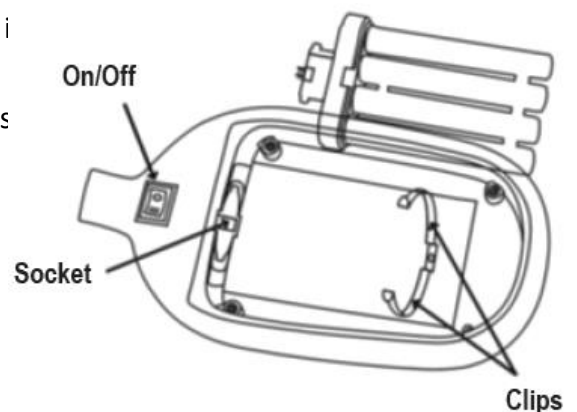
Lamp Assembly

1. Remove all the lamp parts from the carton and put them carefully to one side.
2. Take the 'flex pole' and thread the 'power cord' through the 'lower pole'. Twist the lower pole clockwise into the flex pole, taking care not to pinch the wire.
3. Connect the two ends of the power cord using the 'lock connectors'.
4. Remove the 'rubber' and twist the 'metal connector' clockwise into the 'base'.
5. Remove the screw from the metal connector and then insert the flex and lower pole into the base.
6. Check the direction of the lamp and then line up the hole in both the base and lower pole. Use a screwdriver to tighten the screw into the hole.



Light Bulb Installation

1. Insert the Bulb into the Clips on the lamp head. Put one side of the bulb against one clip and then softly push the second clip to insert the other side of the bulb.
2. Gently push the bulb into the Socket. When the bulb is seated properly, you will hear a click.
3. To replace the bulb, follow the above steps in reverse order.





HAVE A QUESTION ABOUT YOUR PURCHASE?

OUR DEDICATED CUSTOMER SERVICES TEAM ARE HAPPY TO HELP
CONTACT THEM VIA:

TELEPHONE: 020 3600 2255

EMAIL: cservice@oypla.com

LIVE CHAT: www.oypla.com

PLEASE RETAIN A COPY OF THESE INSTRUCTIONS FOR FUTURE CONSULTATION



Environmental Protection

OYPLA.COM

An Official OYPLA Branded Product



Products bearing the symbol shown below means that used electrical and electronic equipment (WEEE) should not be mixed with general household waste. For proper treatment, recovery and recycling, please take this product(s) to designated collection points where it will be accepted free of charge. Disposing of this product correctly will help save valuable resources and prevent any potential negative effects on human health and the environment, which could otherwise arise from inappropriate waste handling. Please contact your local authority for further details of your nearest designated collection point. Penalties may be applicable for incorrect disposal of this waste, in accordance with your national legislation.



Imported by Oypla.com LLP, Uxbridge, UB8 2FX

USER MANUAL Model No: 3395, 3670