

HOME

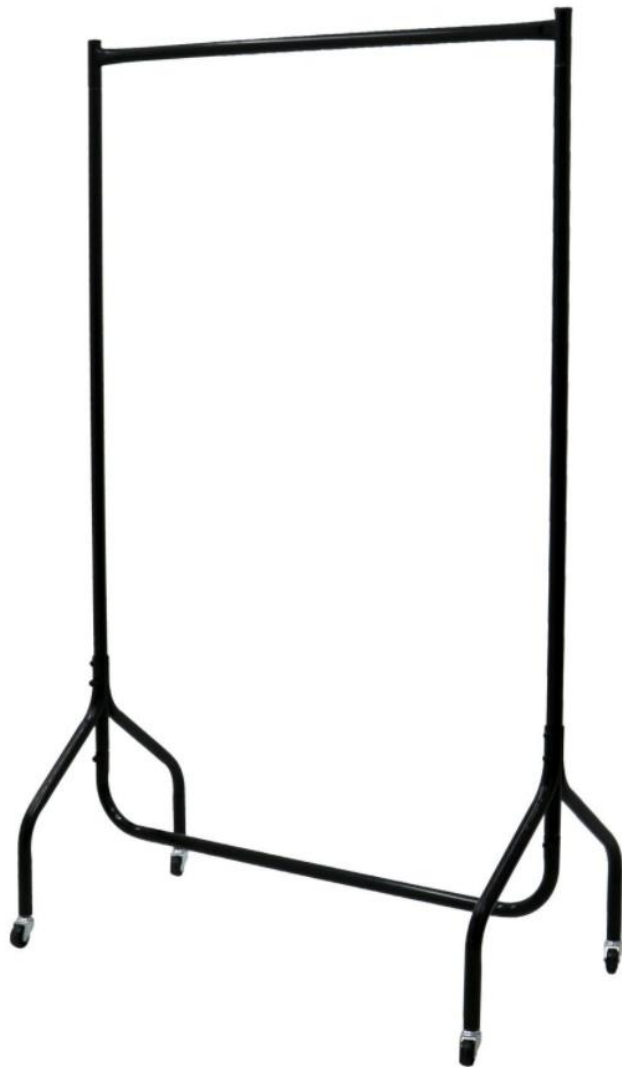
Model Code: 3634,
3336, 3388

THANK YOU FOR YOUR ORDER

Contents

- 1 Front Cover
-
- 2 Safety Instructions
-
- 2 Assembly Instructions
-
- 3 Back Cover

End



Garment Clothes Rail

Contents

1	Front Cover
-	
2	Safety Instructions
-	
2	Assembly Instructions
-	
3	Back Cover

End


Safety Instructions

Notice: Ensure you read and fully understand instructions before use


While every attempt is made to ensure the highest degree of protection in all equipment, we cannot guarantee freedom from injury. The user assumes all risk of injury due to use. All merchandise is sold on this condition, which no representative of the company can waive or change.

- Make sure all fastenings are all tightly in place and that everything is in order before using the rail. This should be checked periodically by an adult.
- Children should not use this product at any time.
- Only use this product on stable, level and dry ground.
- Assembly should be completed by a responsible adult.
- This product is not a toy, and is only to be used for its designated purpose.
- Clean only using a damp cloth. Do not use any harsh chemicals or industrial cleaning substances, as these may damage the product.
- This product is intended for indoor use only.
- If this product is damaged or defective, please contact cservice@oypla.com

Warnings

 This product contains small parts that could be a choking hazard if swallowed. Keep children and pets away whilst assembling the rail.





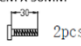

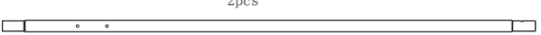

 Do not exceed the 50kg weight capacity of this rail.

 Never allow children or pets to swing or hang on the rail. Doing so may result in product failure and personal injury.

Assembly Instructions

Parts List:

- If you are missing any of the below parts, please contact cservice@oypla.com
- Please be aware that you will be referring to this parts list throughout the assembly process.

1			2			
3			5	0.9CM X 35MM 	6	0.9CM X 30MM 
			7			
4			8			

Manual Version: v1.0

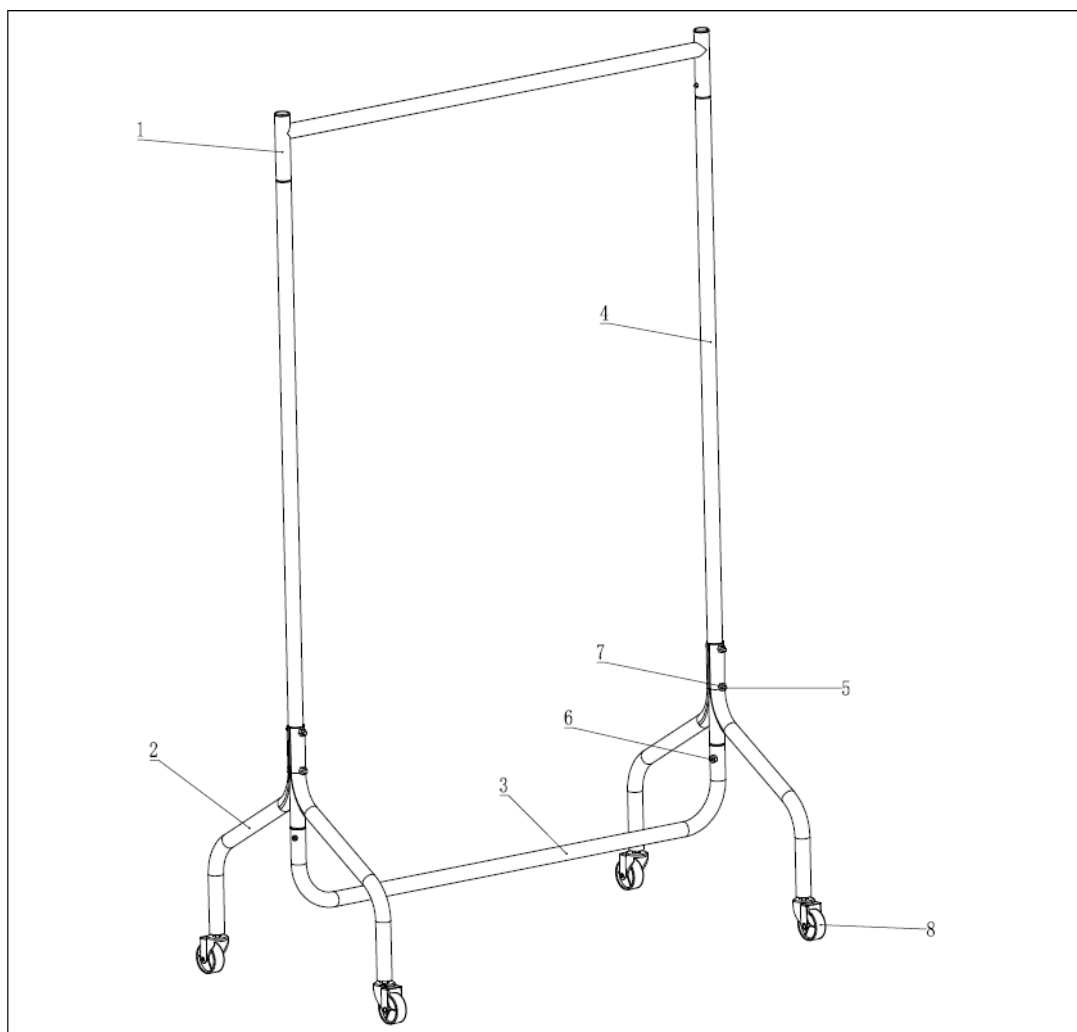
Model Code: 3634, 3336, 3388

Oypla.com LLP / www.oypla.com

Contents

- 1 Front Cover
-
- 2 Safety Instructions
-
- 2 Assembly Instructions
-
- 3 Back Cover

End



HAVE A QUESTION ABOUT YOUR PURCHASE?

Our dedicated customer services team are happy to help. Contact them via:

Telephone: 020 3600 22 55
 Email: cservice@oypla.com
 Live Chat: WWW.OYPLA.COM

CONSIDER THE ENVIRONMENT!

In the United Kingdom, approximately 5 billion corrugated boxes are used per year, amounting to around 83 per person! By recycling the cardboard box in which this product was packed, you contribute to the preservation and sustainability of the environment.

If you see a recycling logo on the packaging of your product, such as the below examples, that piece of packaging is recyclable. If there is not a recycling logo, please check with your local authorities before recycling.



PLEASE RETAIN A COPY OF THESE INSTRUCTIONS FOR FUTURE CONSULTATION

OYPLA.COM

AN OFFICIAL OYPLA BRANDED PRODUCT