



Green Bucket Loader

Safety Instructions

Notice: Ensure you read and fully understand instructions before use

While every attempt is made to ensure the highest degree of protection in all equipment, we cannot guarantee freedom from injury. The user assumes all risk of injury due to use. All merchandise is sold on this condition, which no representative of the company can waive or change.

- Make sure all fastenings are tightly in place and that everything is in order before using the product. This should be checked periodically by an adult.
- Do not discard any of the packaging until you have checked that you have all of the parts and fittings required.
- Use the correct fixings as indicated. Do not tighten any of the nuts until the unit is completely assembled, then finish by tightening all nuts. All nuts must be tightened before use.
- Do not carry out alterations or modifications to this product.
- Persons (including children) with reduced physical, sensory and mental capacities or lack of experience and knowledge do not intend this product for use, unless persons responsible for their safety have given them supervision or instruction concerning use of the product.
- This product is only suitable for children aged three and above (varies per product)
- When the child is using this product, they should be supervised at all times.
- If the product is damaged or has any defects, please contact cservice@oypla.com

Assembly Instructions

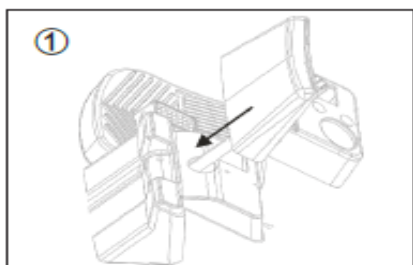
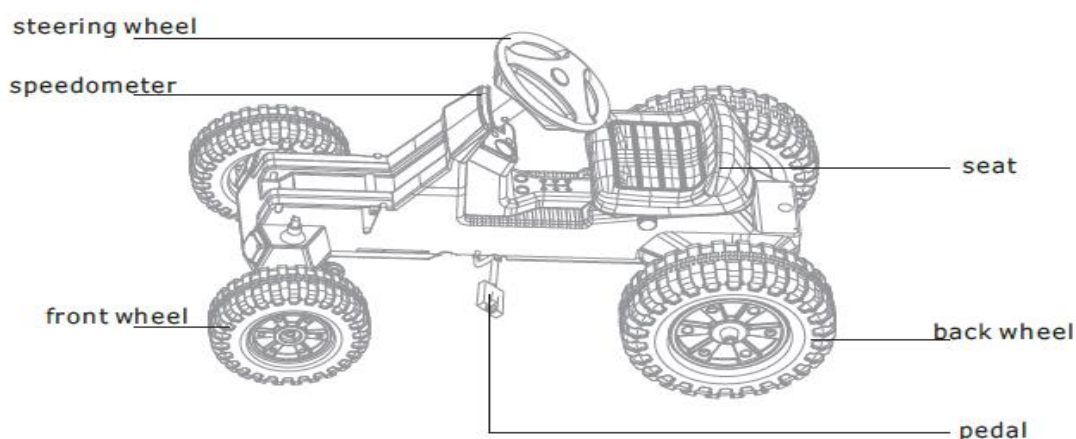
Parts List:

Please check you have all parts below before attempting to assemble this product.

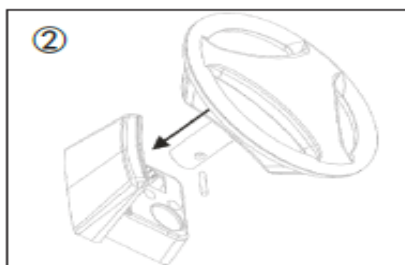
If you are missing any of the below parts, please contact Oypla customer services:

cservice@oypla.com

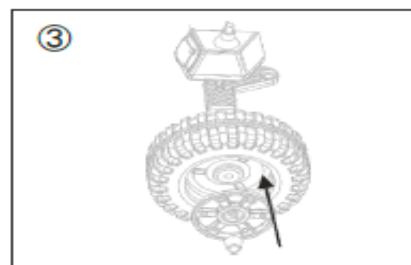
Please be aware you will be referring to this parts list throughout the assembly process.



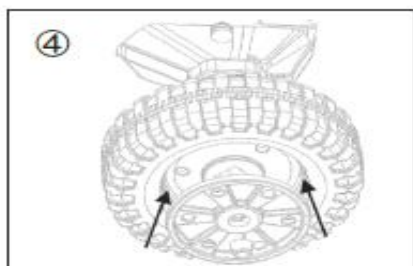
Fix the speedometer onto the loader body with two 5*14 screws.



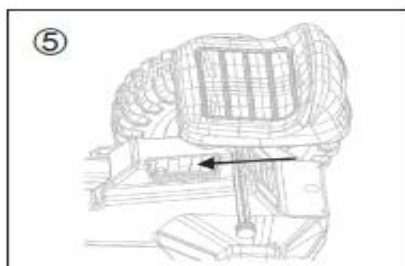
Fix the steering wheel under the front wheel shaft with one 5*25 screw.



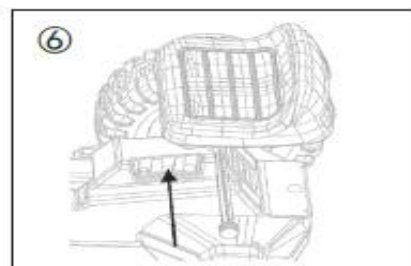
Attach the two front wheels to the front shaft, then put in the front cover, finally put in anti-back ring.



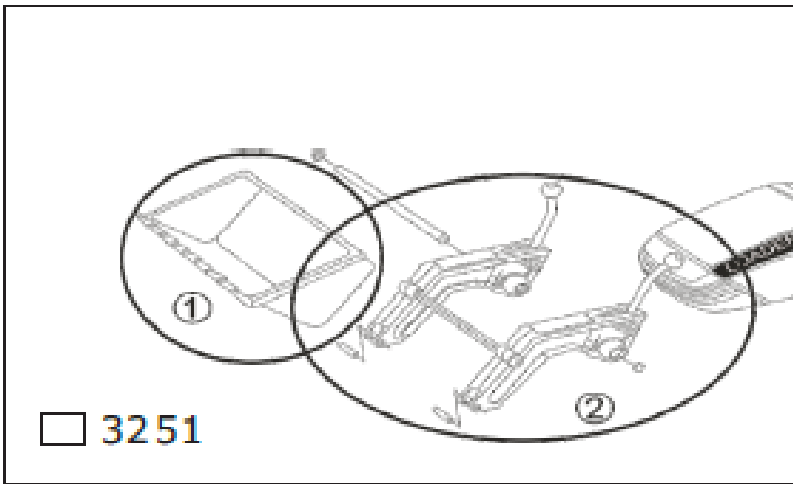
Attach the two front wheels to the front shaft, then put in the front cover, finally put in anti-back ring.



Fix the seat onto the boy as shown.



Plug Pin.



1. Install the bucket to the loading arm, then plug two pins into the hole.
2. Plug shaft to the arm hole then lock with nuts.

Please retain a copy of all instructions for future consultation.



An Official Oypla Branded Product

Imported into the EU by Oypla.com LLP, Uxbridge, UB8 2FX

USER MANUAL Model No: 3251