

DIY

THANK YOU FOR YOUR ORDER

Contents

- 1 Front Cover
-
- 2 Safety
Instructions
-
- 3 Assembly
Instructions
-
- 3 Operating
Instructions
-
- 5 Back Cover

End



Lawnmower Jack

Contents

1	Front Cover
-	-
2	Safety Instructions
-	-
3	Assembly Instructions
-	-
3	Operating Instructions
-	-
5	Back Cover

End


Safety Instructions


Notice: Ensure you read and fully understand instructions before use

While every attempt is made to ensure the highest degree of protection in all equipment, we cannot guarantee freedom from injury. The user assumes all risk of injury due to use. All merchandise is sold on this condition, which no representative of the company can waive or change.

- Use the mower lift for only lifting operations.
- Do not allow children to use or play with the mower lift.
- Never allow other people or children to sit on the load when using the mower lift.
- Never leave the mower lift unattended whilst it is in use.
- The mower lift is designed for use on flat and stable surfaces. Use on a soft or uneven surface may cause instability of the mower lift and cause the mower to fall.
- The mower lift will support a ride-on mower that does not exceed 400kg at a maximum tilt of 60°.
- Check the mower lift before each use for any signs of damage. Do not use if there is any evidence of corrosion.
- The appliance should not be used by persons (including children) with reduced physical, sensory or mental capabilities, or lack of experience and knowledge, unless they have been given supervision or instruction concerning use of the appliance by a person responsible for their safety.
- Only use this product for its intended purpose.
- Never make any modifications or alterations to this product.

Warnings

 The weight capacity of this mower jack is 400kg. Never overload the jack, as doing so may result in product failure, and/or serious personal injury.

 It is recommended to use secondary jack stands along with the mower jack, to support the mower in case of product failure.

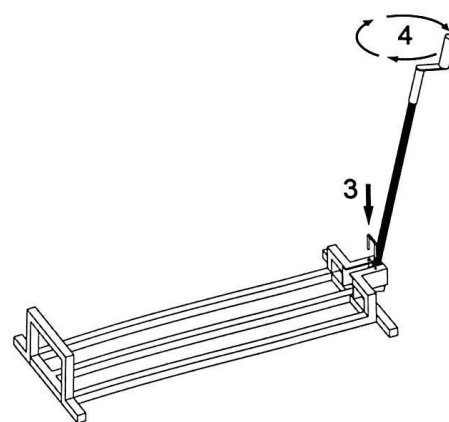
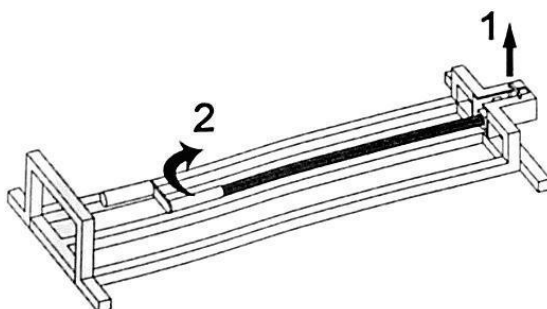
Contents

1	Front Cover
-	-
2	Safety Instructions
-	-
3	Assembly Instructions
-	-
3	Operating Instructions
-	-
5	Back Cover

End

Assembly Instructions

1. Position the mower jack on a level and stable surface.
2. Remove the locking pin (3).
3. Raise the vertical lead screw (2) and ensure the lugs on the nut face left to right.
4. Replace the locking pin (3) in front of the lead screw (2).
5. Turn the handle (4) clockwise to raise the mower, and anti-clockwise to lower the mower.



Operating Instructions

Please refer to the diagrams and text below for instructions on how to operate your product.

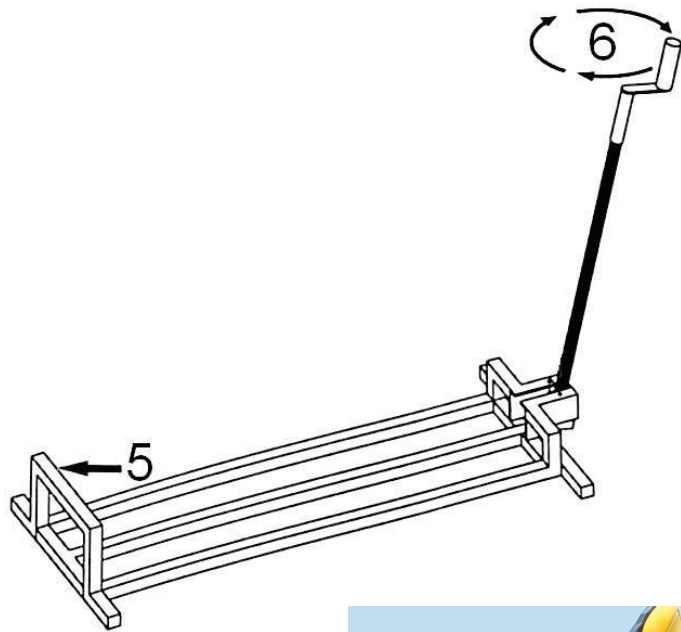
1. Assemble the mower jack as per the assembly instructions above.
2. Position the mower lift on a flat, level surface.
3. Locate the sit-on mower so that the front or rear wheels fit between the lifting bars (5). It is worth ensuring that the fuel tank is no more than 25% full, to avoid fuel spillage.
4. Turn the handle (6) clockwise to raise the mower 2 to 3cm to ensure the right amount of balance is achieved before continuing to lift. If the mower is unbalanced, turn the handle anti-clockwise to return the mower to the ground. Reposition the mower in between the lifting bars and repeat the process.
5. It is recommended that you position one or two jack stands to support the lawn mower, should the lawn mower lift fail whilst in use.

Diagrams follow on next page

Contents

- 1 Front Cover
-
- 2 Safety Instructions
-
- 3 Assembly Instructions
-
- 3 Operating Instructions
-
- 5 Back Cover

End



Contents

- 1 Front Cover
-
- 2 Safety Instructions
-
- 3 Assembly Instructions
-
- 3 Operating Instructions
-
- 5 Back Cover

End



HAVE A QUESTION ABOUT YOUR PURCHASE?

Our dedicated customer services team are happy to help. Contact them via:

Telephone: 020 3600 22 55
Email: cservice@oypla.com
Live Chat: WWW.OYPLA.COM

CONSIDER THE ENVIRONMENT!

In the United Kingdom, approximately 5 billion corrugated boxes are used per year, amounting to around 83 per person! By recycling the cardboard box in which this product was packed, you contribute to the preservation and sustainability of the environment.

If you see a recycling logo on the packaging of your product, such as the below examples, that piece of packaging is recyclable. If there is not a recycling logo, please check with your local authorities before recycling.



PLEASE RETAIN A COPY OF THESE INSTRUCTIONS FOR FUTURE CONSULTATION

OYPLA.COM

AN OFFICIAL OYPLA BRANDED PRODUCT