

Contents

- 1 Front Cover
- 2 Safety Instructions
- 3 Assembly Instructions
- 6 Operating Instructions
- 7 Cleaning Instructions
- 8 Technical Information
- 9 Trouble Shooting
- 9 Back Cover



Table Top Gas Patio Heater

Contents

1	Front Cover
2	<u>Safety Instructions</u>
3	Assembly Instructions
6	Operating Instructions
7	Cleaning Instructions
8	Technical Information
9	Trouble Shooting
9	Back Cover

Safety Instructions

Notice: Ensure you read and fully understand instructions before use

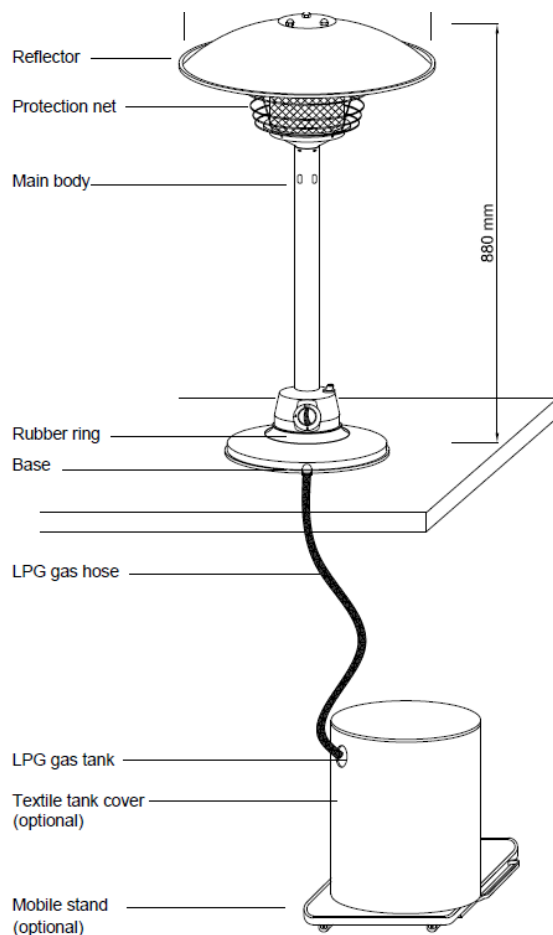
While every attempt is made to ensure the highest degree of protection in all equipment, we cannot guarantee freedom from injury. The user assumes all risk of injury due to use. All merchandise is sold on this condition, which no representative of the company can waive or change.

- Make sure all bolts are secured before using. The user takes all responsibility for the construction and placement of the product.
- Never leave the heater unattended.
- Once you are finished with the patio heater be sure to turn it off, leaving it on can be dangerous. Allow to cool before moving/storing.
- Leaving the product outside exposed to weather, especially direct sun, rain and salt air, will speed the weathering process. This can be slowed by removing the product from these conditions, or covering it with a suitable cover whilst not in use.
- This product is not a toy, and is only to be used for its designated purpose.
- Do not carry out alterations or modifications to this product.
- This product is intended for outdoor use only.
- Clean only with a damp cloth. Do not use strong industrial cleaning substances. Never clean while hot or in use.
- Turn off the gas valve immediately if the smell of gas is detected.
- This gas cylinder used must be in accordance with the regulations in force.
- Never obstruct the ventilation holes of the cylinder housing.
- Never move the appliance whilst it is in operation.
- Turn off the valve at the gas cylinder or the regulator before moving the appliance.
- Do not use the heater until all connections have been leak tested.
- Both Adults and children should stay away from high temperature surface to avoid burns or clothing ignition.
- Children should be carefully supervised when they are in the area of the heater.
- Clothing or other flammable materials should not be hung on the heater or placed on or near the heater.
- Never operate heater in an explosive atmosphere like in areas where gasoline or other flammable liquids or vapours are stored.
- To protect heater from strong wind, anchor the base securely to the ground with screws.
- Only use propane or butane gas.
- A dented, rusted or damaged propane tank may be hazardous and should be checked by your tank supplier. Never use a propane tank with a damaged valve connection.
- Never connect an unregulated propane tank to the heater.
- Do not wear loose clothing or jewellery. Keep your hair, clothing and gloves away from moving parts and hot surfaces.

Contents

1	Front Cover
2	Safety Instructions
3	<u>Assembly Instructions</u>
6	Operating Instructions
7	Cleaning Instructions
8	Technical Information
9	Trouble Shooting
9	Back Cover

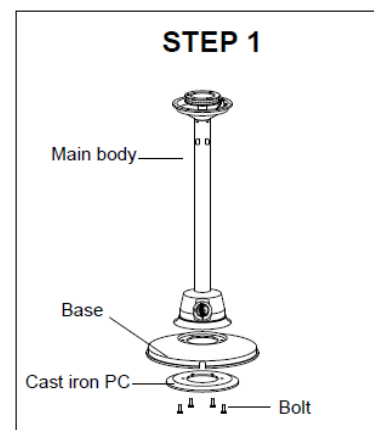
Assembly Instructions



- 3 pcs M6 castle nuts
- 4 pcs M6×16mm bolts
- 4 pcs M4×8 mm bolts
- 9 pcs Φ 6 mm washers
- Reflector Φ 535 x (D)100 mm
- Textile tank cover Φ 320 x (H)600 mm (optional)
- PVC mobile stand (L)375 x (W)334 x (H)53 mm (optional)

STEP 1:

- 1-1. Put the base and cast iron piece under the main body in the picture.
- 1-2. Use 4 pcs M6×20 mm bolts to join the base & cast iron piece and the main body.
- 1-3. Tighten each of the bolts.

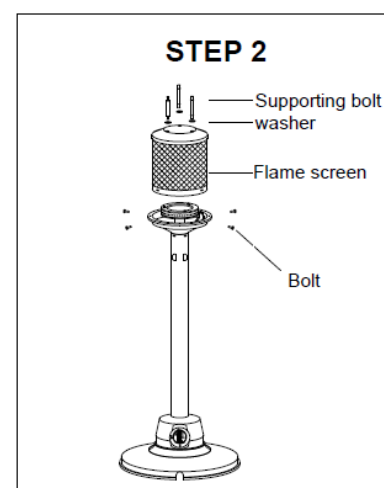


Contents

- 1 Front Cover
- 2 Safety Instructions
- 3 Assembly Instructions
- 6 Operating Instructions
- 7 Cleaning Instructions
- 8 Technical Information
- 9 Trouble Shooting
- 9 Back Cover

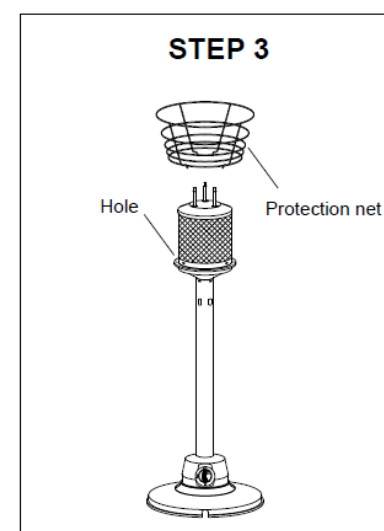
STEP 2:

- 2-1. Join 3pcs supporting bolts & 3pcs washers to the flame screen.
- 2-2. Put the flame screen into net base.
- 2-3. Use 4 pcs M4×8 mm stainless steel bolts to join the flame screen and net base as shown.
- 2-4. Tighten each of the bolts.



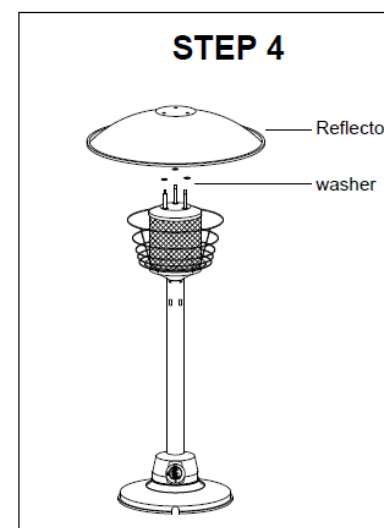
STEP 3:

- 3-1. Put the protection net cover the net base, aim at 4-Ø3mm holes around the base as shown.



STEP 4:

- 4-1. Set 3 pcs washers above the 3 pcs supporting bolts.
- 4-2. Put reflector canopy onto the top of flame screen aligning through the 3 pcs supporting bolts.

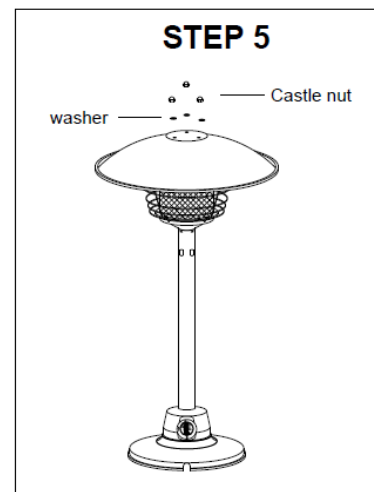


Contents

- 1 Front Cover
- 2 Safety Instructions
- 3 Assembly Instructions
- 6 Operating Instructions
- 7 Cleaning Instructions
- 8 Technical Information
- 9 Trouble Shooting
- 9 Back Cover

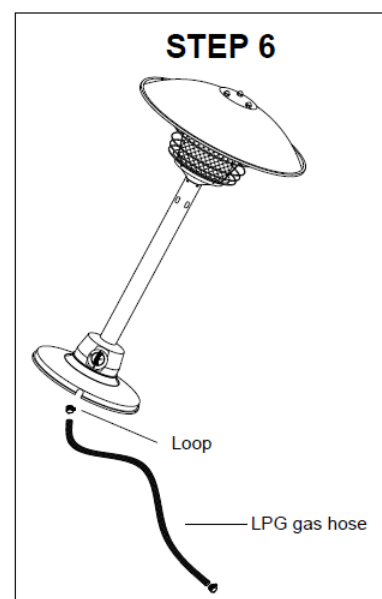
STEP 5:

- 5-1. Place 3 pcs castle nuts & 3 pcs washers on each reflector supporting bolts.
- 5-2. Tighten each of the castle nuts.



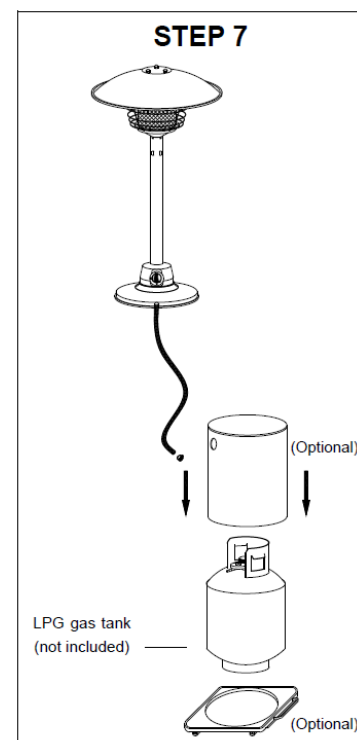
STEP 6:

- 6-1. Connect the LPG gas hose (not included) to the table heater gas inlet connector with a loop.
- 6-2. Tighten the loop.



STEP 7:

- 7-1. Connect the regulator to the LPG gas tank and tighten it by adjustable wrench.
- 7-2. Connect the end thread of inlet gas hose to the regulator as shown.
- 7-3. Put the LPG gas tank on mobile stand.

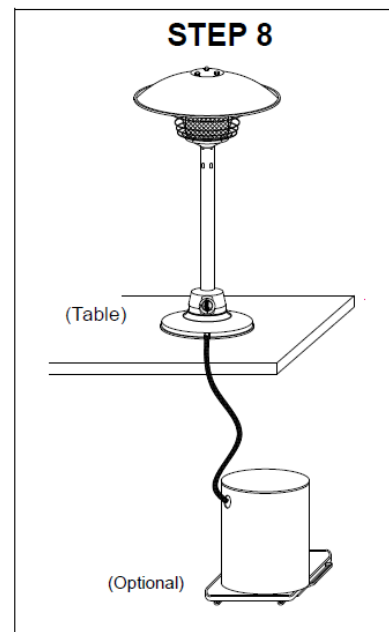


Contents

- 1 Front Cover
- 2 Safety Instructions
- 3 Assembly Instructions
- 6 Operating Instructions
- 7 Cleaning Instructions
- 8 Technical Information
- 9 Trouble Shooting
- 9 Back Cover

STEP 8:

- 8-1. Adjust the gas tank to advisable position (push the mobile stand), for example under the table.



Operating Instructions

NOTE: Before first use, a gas leakage test should be conducted. To do this, follow the below instructions:

Gas connections on the appliance are leak tested at the factory prior to shipment. Possible mishandling of the appliance during the shipment might contribute to product integrity as a whole. A complete gas leakage test must be performed again at the installation site. Please follow the procedure below for leakage test.

- Make a soap solution of one part liquid detergent and one part water. The soap solution can be applied with spray bottle, brush or rag. Soap bubbles will appear where a leak is present.
- Make sure the safety control valve is in the "OFF" position.
- Turn ON the gas supply and check for bubbles from the hoses and connections. Presence of bubble means that a leak path is present.
- If a leak is present, turn OFF the gas supply immediately, tighten any leaking fitting, turn gas supply ON and recheck. Check that the regulator seal is correctly fitted before use.

VISUALLY CHECKING BURNER FLAMES

The flame pattern at the emitter grid should be visually checked whenever the appliance is operated. Under the following conditions the appliance should be turned off immediately and NOT operated again until repair are made:

- When the pilot flame extends more than 1/2 inch beyond surface of the emitter grid.
- When black soot accumulates on the emitter grid.

Contents

- 1 Front Cover
- 2 Safety Instructions
- 3 Assembly Instructions
- 6 Operating Instructions
- 7 Cleaning Instructions
- 8 Technical Information
- 9 Trouble Shooting
- 9 Back Cover

TO TURN ON THE HEATER

1. Turn on the valve on the gas supply completely.
2. Firmly press down on the variable control knob for approximately 20 seconds.
3. While holding down on the control knob, Turn the variable control knob to horizontal position. Press the igniter button several times until the pilot flame lights. Release the control knob when the pilot flame comes on.
4. If the pilot does not light, repeat step 2 to 3.

Note: If a new tank has just been connected, please allow at least one minute for the air in the gas pipeline to purge out through the pilot hole.
5. After the flame comes on , leave the variable control knob at maximum position for about 5 minutes, then switch to a desire temperature position.



TO TURN HEATER AND PILOT OFF

1. Turn control knob to "Pilot" position.
2. Then , press down lightly and turn to "OFF" position.
3. Turn the gas tank off completely.



Variable Control Knob

TO STORE THE HEATER UNIT

1. Turn the gas tank to complete closed position.
2. Remove the pressure regulator and the hose attachment.
3. Inspect the gas tank for damage. If you suspect that your tank is damaged, return it to your gas tank supplier.
4. Store the gas tank in a well-ventilated area. Never store the gas tank below ground (for example, basement).

Cleaning

- Always allow the product to completely cool down before cleaning.
- Do not use harsh chemicals or abrasives to clean the heater housing. If necessary, use mild detergent.
- Dry the product thoroughly after cleaning.
- Never attempt to clean the product whilst it is in use.

Contents

1	Front Cover
2	Safety Instructions
3	Assembly Instructions
6	Operating Instructions
7	Cleaning Instructions
8	<u>Technical Information</u>
9	Trouble Shooting
9	Back Cover

Technical Information

A. Construction and characteristics

- Gas heater for garden table
- Textile tank cover (optional)
- Gas hose connections with metal loop (screw caps for Germany)
- Stainless steel flame screen
- Heat emission from reflector

B. Specification

- For outdoor use only
- Uses propane or butane gas only
- Max. wattage: 4,000 watts
- Weight: 8.5 kgs
- Height: 880 mm approx
- Consumption:

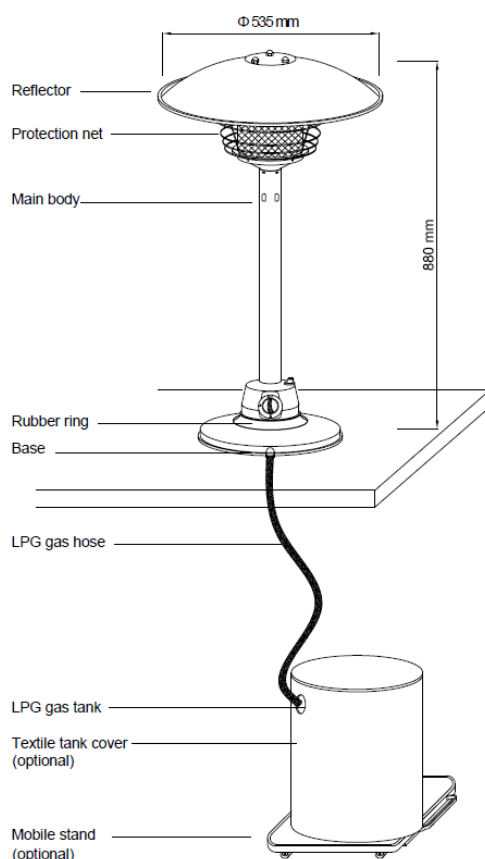
APPLIANCE CATEGORY:	I ₃₊ (28-30/37)		I _{3B/P} (30)	I _{3B/P} (50)	I _{3B/P} (37)
TYPES OF GAS:	Butane	Propane	Butane, propane or their mixtures	Butane, propane or their mixtures	Butane, propane or their mixtures
GAS PRESSURE:	28-30mbar	37 mbar	30 mbar	50mbar	37mbar
OUTLET PRESSURE OF REGULATOR:	30mbar	37 mbar	30 mbar	50mbar	37mbar

- With CE certificates

3. Table of injector

APPLIANCE CATEGORY:	I ₃₊ (28-30/37)		I _{3B/P} (30)	I _{3B/P} (50)	I _{3B/P} (37)
TYPES OF GAS:	Butane	Propane	Butane, propane or their mixtures	Butane, propane or their mixtures	Butane, propane or their mixtures
GAS PRESSURE:	28-30mbar	37 mbar	30 mbar	50mbar	37mbar
TOTAL HEAT INPUT (Hs): (Qn)	4kW (G30:290g/h; G31:286g/h)				
INJECTOR SIZE:	1.00 mm for main burner 0.18 mm for pilot burner		0.90 mm for main burner 0.18 mm for pilot burner	0.95 mm for main burner 0.18 mm for pilot burner	0.95 mm for main burner 0.18 mm for pilot burner
The marking, for example, 1.00 on the injector, indicates that the size of injector is 1.00mm					

- The hose and regulator assembly must conform to local standard codes.
- Regulator outlet pressure should meet the corresponding gas category in the table of injector.
- The appliance requires approved hose in 2m length.
- Marking on the injector, for example, 1.00 means that the size of the injector is 1.00 mm.



Contents

- 1 Front Cover
- 2 Safety Instructions
- 3 Assembly Instructions
- 6 Operating Instructions
- 7 Cleaning Instructions
- 8 Technical Information
- 9 Trouble Shooting
- 9 Back Cover

Troubleshooting

PROBLEM	PROBABLE CAUSE	SOLUTION
Pilot will not light	Gas valve may be off	Turn gas valve on
	Tank fuel may be empty	Refill LPG tank
	Opening blocked	Clean or replace opening
	Air in supply system	Purge air from lines
	Loose connections	Check all fittings
	Debris around pilot	Clean dirty area
Pilc	HAVE A QUESTION ABOUT YOUR PURCHASE?	
	OUR DEDICATED CUSTOMER SERVICES TEAM ARE HAPPY TO HELP	
	CONTACT THEM VIA:	
Bur	TELEPHONE: 020 3600 2255	LPG
	EMAIL: cservice@oypla.com	LPG
	LIVE CHAT: www.oypla.com	ing
	NOT IN CORRECT LOCATION	Position properly and retry

PLEASE RETAIN A COPY OF THESE INSTRUCTIONS FOR FUTURE CONSULTATION



OYPLA.COM

An Official OYPLA Branded Product



Environmental Protection

Products bearing the symbol shown below means that used electrical and electronic equipment (WEEE) should not be mixed with general household waste. For proper treatment, recovery and recycling, please take this product(s) to designated collection points where it will be accepted free of charge. Disposing of this product correctly will help save valuable resources and prevent any potential negative effects on human health and the environment, which could otherwise arise from inappropriate waste handling. Please contact your local authority for further details of your nearest designated collection point. Penalties may be applicable for incorrect disposal of this waste, in accordance with your national legislation.



Imported by Oypla.com LLP, Uxbridge, UB8 2FX