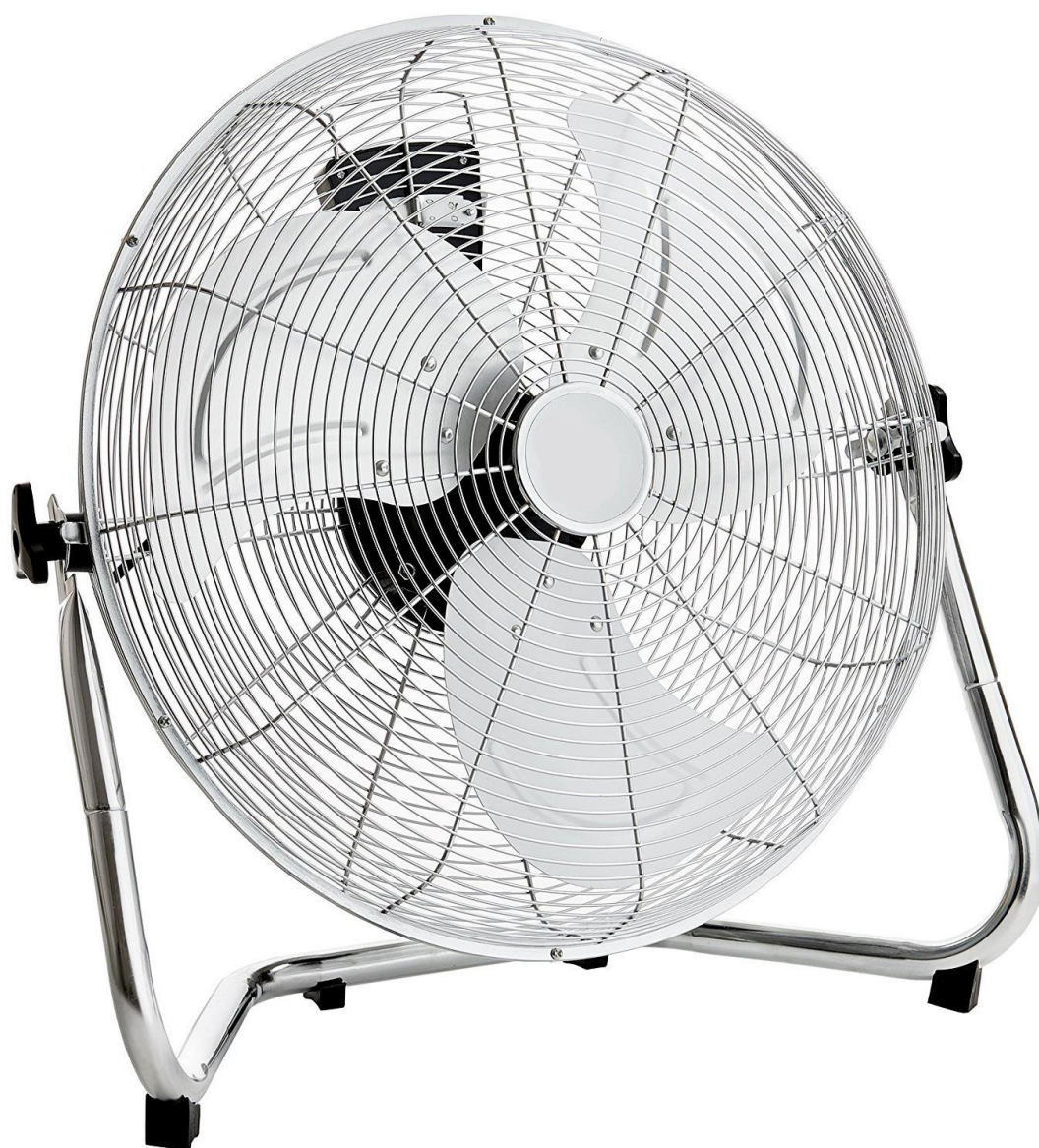


User Manual

YPLATM HOME



Chrome Floor Fan



USER MANUAL Model No: 3107, 3580, 3581, 3582, 3983

Safety Instructions

Notice: Ensure you read and fully understand instructions before use

While every attempt is made to ensure the highest degree of protection in all equipment, we cannot guarantee freedom from injury. The user assumes all risk of injury due to use. All merchandise is sold on this condition, which no representative of the company can waive or change.

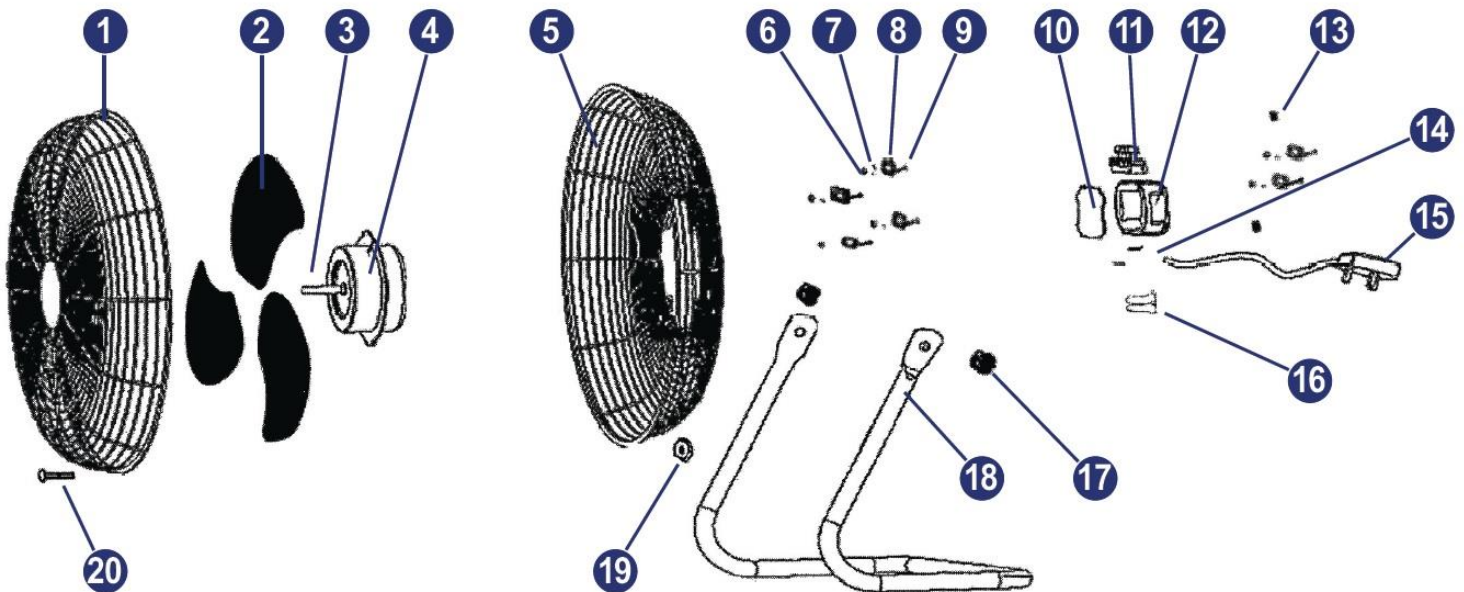
- This fan is intended for household use.
- To protect against electrical shock, do not immerse fan, plug or cord into water or spray with liquids. KEEP AWAY FROM ALL LIQUIDS.
- Close supervision is necessary when any appliance is used near children.
- Always unplug the fan when it is not in use, when moving fan from one location to another, and before cleaning.
- Avoid contact with moving parts. Never insert fingers, pencils or other similar objects through the guard.
- Do not operate in the presence of explosive or flammable fumes.
- Do not place fan or parts near an open flame, cooking or other heating appliances.
- Do not operate fan with a damaged cord, plug or after the fan suffered malfunctions or has been dropped or damaged in any manner.
- The use of attachments not recommended by manufacturer may be hazardous.
- Do not use outdoors.
- Do not let cord hang over the edge of a table or counter, or let it touch any hot surfaces.
- To disconnect, grip plug and pull from wall outlet, never yank the cord.
- Always use on a dry level surface.
- The fan is only for intended use as described in this manual. All other uses, not recommended in this manual, may cause fire, electrical shock or injury to persons.
- This appliance is not intended for use by children or other persons without assistance or supervision if their physical, sensory or mental capabilities prevent them from using it safely.
- Children should be supervised to ensure that they do not play with the appliance.
- If the supply cord is damaged, it must be replaced by the manufacturer or its service agent or similarly qualified person in order to avoid a hazard.
- Do not operate without fan lattice/grille is properly in place.
- If the product is damaged or has any defects, please contact cservice@oypla.com

Operating Instructions

Parts List:

If you are missing any of the below parts please contact cservice@oypla.com

Please be aware that you will be referring to this parts list throughout the assembly process.



- | | | | |
|----------------|-----------------|-----------------------|-------------------------|
| 1) Front Guard | 6) Nut | 11) Switch | 16) Close-End Connector |
| 2) Blade | 7) Washer | 12) Control Box | 17) Particle |
| 3) Blade Screw | 8) Washer | 13) Protects the Coil | 18) Tube Base |
| 4) Motor | 9) Screw | 14) Cord Holder | 19) Lock Nut |
| 5) Rear Guard | 10) Control Box | 15) Power Cord | 20) Screw |

1. Connect the power cord and press speed buttons (1, 2, 3). The fan will begin to blow air according to the speed you have chosen.

2. Press down on the button marked as “0” to stop the fan.

The speed settings are (1, 2, 3): To select a required fan speed, press down on one of the following buttons (Low 1) (Medium 2) (High 3).

This fan should be properly grounded for your safety. The power cord of this fan is equipped with a three-prong plug, which mates with standard three prong wall outlets to minimize the possibility of electrical shock.

Do not under any circumstances cut or remove the third ground prong from the power cord supplied.

This fan requires a standard 220~240Volts A.C. ~/50Hz electrical outlet with three-prong ground.

The cord should be secured behind the fan and not left exposed or dangling to prevent accidental injury.

Never unplug the fan by pulling the power cord. Always grip the plug firmly and pull straight out from the receptacle.

Do not use an extension cord with this appliance. If the power cord is too short, have a qualified electrician or service technician install an outlet near the appliance.

Model	3107
Size (Inches)	18
Watts (W)	100
Rated Voltage	220-240v
Frequency	50Hz

Please retain a copy of all instructions for future consultation.



An Official Oypla Branded Product



Imported into the EU by Oypla.com LLP, Uxbridge, UB8 2FX

Environmental Protection

Products bearing the symbol shown above means that used electrical and electronic equipment (WEEE) should not be mixed with general household waste. For proper treatment, recovery and recycling, please take this product(s) to designated collection points where it will be accepted free of charge. Disposing of this product correctly will help save valuable resources and prevent any potential negative effects on human health and the environment, which could otherwise arise from inappropriate waste handling. Please contact your local authority for further details of your nearest designated collection point. Penalties may be applicable for incorrect disposal of this waste, in accordance with your national legislation.