

# GARDEN

THANK YOU FOR YOUR ORDER

## Contents

- 1 Front Cover  
-
- 2 Safety  
Instructions  
-
- 2 Warning  
Instructions  
-
- 3 Assembly  
Instructions  
-
- 4 Assembly  
Instructions  
-
- 5 Back Cover

End

OYPLA



## Wooden 2 Shelf Grow House

## Contents

|   |                       |
|---|-----------------------|
| 1 | Front Cover           |
| - | -                     |
| 2 | Safety Instructions   |
| - | -                     |
| 2 | Warning Instructions  |
| - | -                     |
| 3 | Assembly Instructions |
| - | -                     |
| 4 | Assembly Instructions |
| - | -                     |
| 5 | Back Cover            |

End


# Safety Instructions


## Notice: Ensure you read and fully understand instructions before use

While every attempt is made to ensure the highest degree of protection in all equipment, we cannot guarantee freedom from injury. The user assumes all risk of injury due to use. All merchandise is sold on this condition, which no representative of the company can waive or change.

- This product contains small parts that could be a choking hazard if swallowed. Keep these items away from children.
- Make sure all fastenings are tightly in place and that everything is in order before using the product. This should be checked periodically by an adult.
- Do not carry out alterations or modifications to this product.
- Clean only with a damp cloth. Do not use strong industrial cleaning substances or abrasive materials.
- Do not discard any of the packaging until you have checked that you have all of the parts and fittings required.
- Keep away from fire.
- If product is damaged or has any defects, please contact [cservice@oypla.com](mailto:cservice@oypla.com)
- This product is intended for outdoor use only.
- This product is not a toy, and is only to be used for its designated purpose.
- Leaving the product exposed to weather, especially direct sun and rain, will speed the weathering process. This can be slowed by removing the product from these conditions.
- Keep fingers, loose clothing, hair and jewellery away when assembling the product. Pinch points can cause injury.
- Use the correct fixings as indicated. Do not tighten any of the nuts until the unit is completely assembled, then finish by tightening all the nuts. All nuts must be tightened before use.

## Warnings

 This product contains small parts that could be a choking hazard if swallowed. Keep these away from children!

 Watch for pinch points! Keep fingers, loose clothing, hair and jewellery away during assembly of the product. Pinch points can cause personal injury.

Contents

# Assembly Instructions

## Parts List:

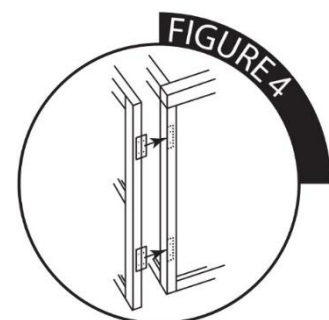
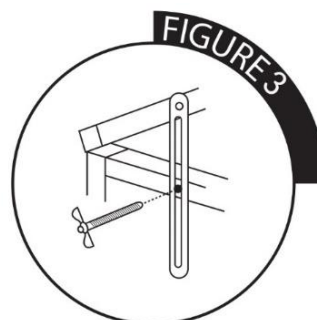
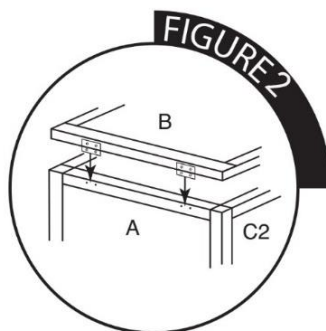
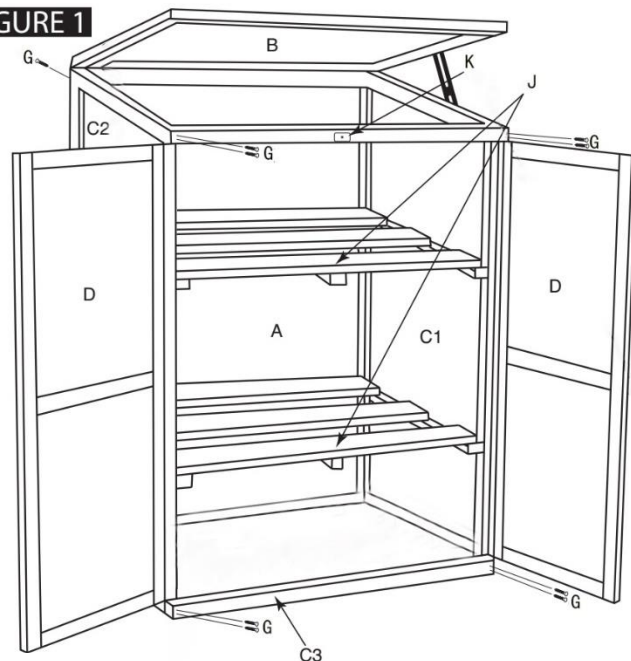
- If you are missing any of the below parts, please contact [cservice@oypla.com](mailto:cservice@oypla.com)
- Please be aware that you will be referring to this parts list throughout the assembly process.

- 1 Front Cover
- 
- 2 Safety Instructions
- 
- 2 Warning Instructions
- 
- 3 Assembly Instructions
- 
- 4 Assembly Instructions
- 
- 5 Back Cover

| Part Ref | Description             | Illustration | Qty |
|----------|-------------------------|--------------|-----|
| A        | Glazed Back Panel 1     |              | 1   |
| B        | Lid                     |              | 1   |
| C1       | Glazed Side Panel Left  |              | 1   |
| C2       | Glazed Side Panel Right |              | 1   |
| C3       | Front Cross Brace       |              | 2   |
| D        | Glazed Door with Hinges |              | 2   |
| E        | Lid Support Arm         |              | 1   |

|   |                       |  |    |
|---|-----------------------|--|----|
| F | Wing Bolt             |  | 1  |
| G | Large Screws          |  | 14 |
| H | Small Screws          |  | 12 |
| I | Medium Screws         |  | 2  |
| J | Slatted Shelf         |  | 2  |
| K | Door Latch and Screws |  | 1  |

**FIGURE 1**



End

# Contents

- |   |                       |          |  |
|---|-----------------------|----------|--|
|   |                       | <b>1</b> | Check that all screws in the ready-made sections are tight, but avoid over-tightening.   |
| 1 | Front Cover           | <b>2</b> | Assemble the back and side frames and front braces (parts A, C1, C2 & C3) using large screws (G) and the pre-drilled holes in the frame (see Fig 1).   |
|   | -                     |          |  |
| 2 | Safety Instructions   | <b>3</b> | Place the shelves (J) inside of the greenhouse, on the shelf supports.   |
|   | -                     |          |  |
| 2 | Warning Instructions  | <b>4</b> | Place the lid (B) in position so that the hinges are at the back and are facing downwards. Line up the lid with the frame sides and hold firmly whilst attaching the hinges to the back panel (A) using screws (H). See Fig 2. |
|   | -                     |          |  |
| 3 | Assembly Instructions | <b>5</b> | Screw the lid support arms (E) to either side of the lid (B) using screws (I) into the pre-drilled holes.  |
|   | -                     |          |  |
| 4 | Assembly Instructions | <b>6</b> | Slide a wing bolt (F) through the channel in the lid support arm (E), and screw into the top of the side panels (C1 & C2) using the pre-drilled holes. See Fig 3.  |
|   | -                     |          |  |
| 5 | Back Cover            | <b>7</b> | Attach the doors (D) by lining up the doors with the frame and attaching the screws (H).   |
|   | End                   | <b>8</b> | Attach one door latch (K) to the centre of the top bar so that it catches both doors and the other latch to the outside of one door as shown.  |

## Contents

---

|   |                       |
|---|-----------------------|
| 1 | Front Cover           |
| - | -                     |
| 2 | Safety Instructions   |
| - | -                     |
| 2 | Warning Instructions  |
| - | -                     |
| 3 | Assembly Instructions |
| - | -                     |
| 4 | Assembly Instructions |
| - | -                     |
| 5 | Back Cover            |
|   | End                   |

---

## HAVE A QUESTION ABOUT YOUR PURCHASE?

Our dedicated customer services team are happy to help. Contact them via:

**Telephone:** 020 3600 22 55  
**Email:** [cservice@oypla.com](mailto:cservice@oypla.com)  
**Live Chat:** [WWW.OYPLA.COM](http://WWW.OYPLA.COM)

---

## CONSIDER THE ENVIRONMENT!

In the United Kingdom, approximately 5 billion corrugated boxes are used per year, amounting to around 83 per person! By recycling the cardboard box in which this product was packed, you contribute to the preservation and sustainability of the environment.

If you see a recycling logo on the packaging of your product, such as the below examples, that piece of packaging is recyclable. If there is not a recycling logo, please check with your local authorities before recycling.




---

PLEASE RETAIN A COPY OF THESE INSTRUCTIONS FOR FUTURE CONSULTATION

# OYPLA.COM

AN OFFICIAL OYPLA BRANDED PRODUCT

---