



Tortoise Hutch

USER MANUAL Model No: 3035

Safety Instructions

Notice: Ensure you read and fully understand instructions before use










While every attempt is made to ensure the highest degree of protection in all equipment, we cannot guarantee freedom from injury. The user assumes all risk of injury due to use. All merchandise is sold on this condition, which no representative of the company can waive or change.

- Never carry out any alterations or modifications to this product.
- This product is not a toy, and is only to be used for its designated purpose.
- This product is intended for outdoor use only.
- Keep fingers, loose clothing, and hair away when assembling the product and folding the lid.
- Make sure all fastenings are tightly in place and that everything is in order before using the product. This should be checked periodically by an adult.
- This product contains small parts that could be a choking hazard if swallowed. Keep these items away from children.
- If a pet is inside of the product, sure that the entrance panels are secured into place by the entrance latches before leaving the product on its own. Do not leave the pet alone inside the product as the weather conditions may change.
- Leaving the product outside exposed to weather, especially direct sun, rain and salt air, will speed the weathering process. This can be slowed by removing the product from these conditions or covering it with a suitable cover.
- Clean only with a damp cloth. Do not use strong industrial cleaning substances or abrasive materials as these will damage the product.
- If the product is damaged or has any defects, please contact cservice@oypla.com

Assembly Instructions

Parts List:

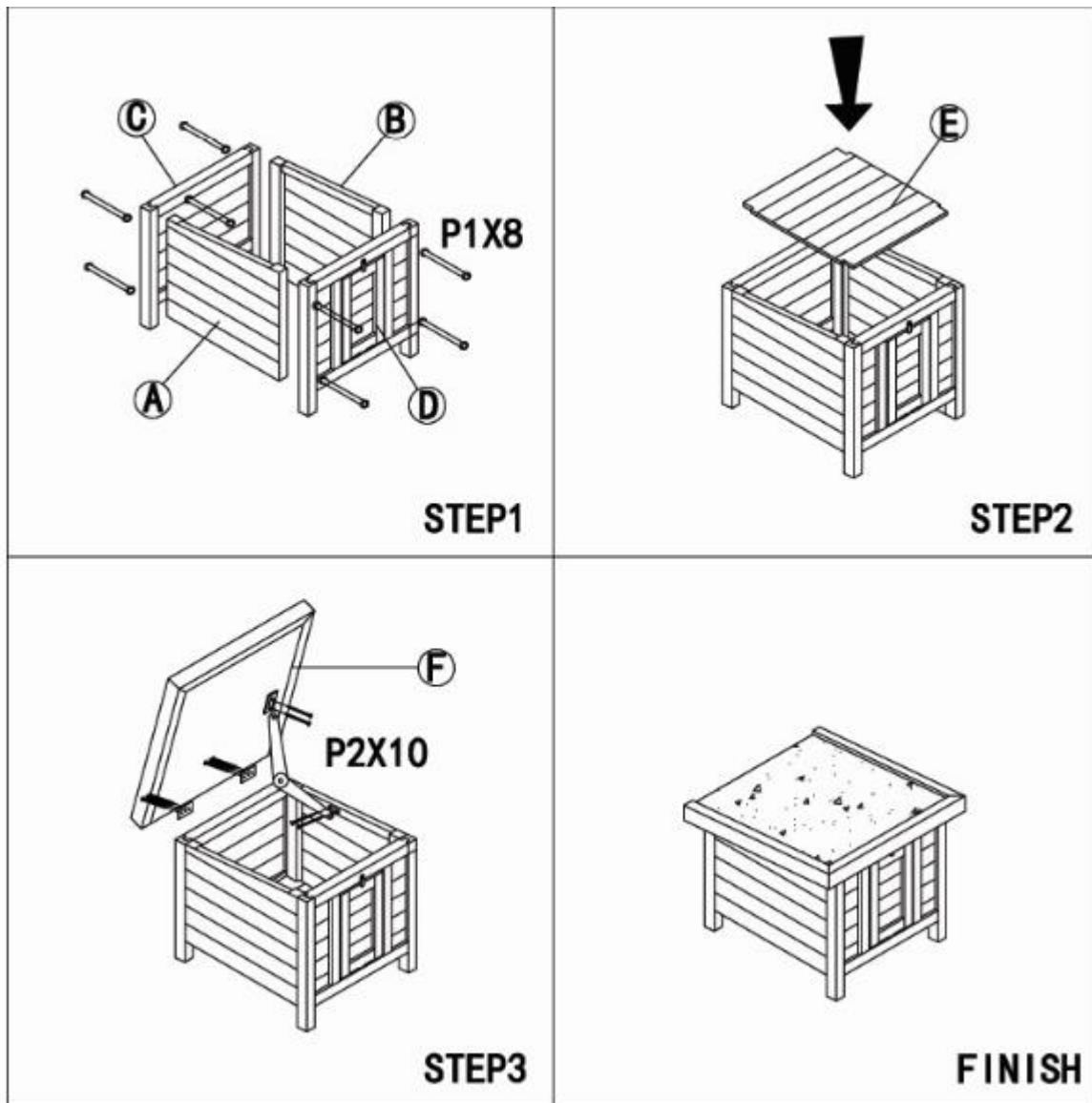
If you are missing any of the below parts please contact cservice@oypla.com

P1  3.5X35 8pcs+1spare	P2  3.0X16 10pcs+1spare	P3  1pcs			
					
A X1	B X1	C X1	D X1	E X1	F X1

Step 1) Attach A & B to C using P1x4. Then attached D to part A & B using P1x4.

Step 2) Slide part E into the centre of the hutch so that it rests on the bars on the inside.

Step 3) Using part P2x4 attach part F to the back of the hutch using hinges attached to it. Then fix part P3 to part F and the side of the hutch as shown in picture, using the remaining screws Part P2x6.



Please retain a copy of all instructions for future consultation.



An Official Oypla Branded Product

Imported into the EU by Oypla.com LLP, Uxbridge, UB8 2FX

USER MANUAL Model No: 3035